

# UG537: EFR32FG25 863-870 MHz 16 dBm Radio Board User's Guide



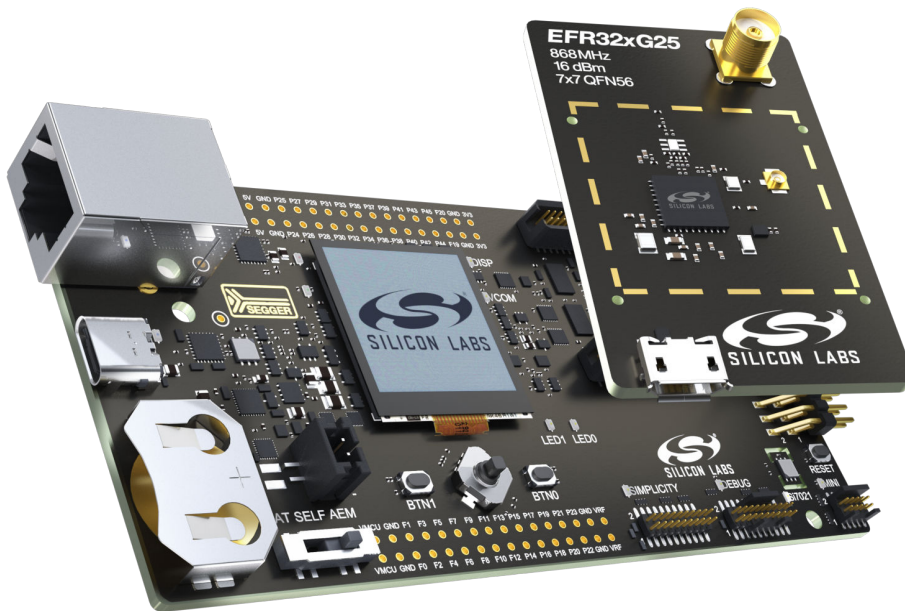
A Wireless Pro Kit with the BRD4271A Radio Board is an excellent starting point to get familiar with the EFR32 Wireless Gecko Wireless System-on-Chip. It also provides all necessary tools for developing a Silicon Labs wireless application.

BRD4271A is a plug-in board for the Wireless Starter Kit Mainboard (BRD4001A) and the Wireless Pro Kit Mainboard (BRD4002A). It is a complete reference design for the EFR32FG25 Wireless SoC, with matching networks for 16 dBm output power and an SMA connector for the 863-870 MHz band.

The mainboards contain an on-board J-Link debugger with a Packet Trace Interface and a Virtual COM port, enabling application development and debugging the attached radio board as well as external hardware. The mainboards also contain sensors and peripherals for easy demonstration of some of the EFR32's many capabilities.

One of the available kits contains a Wireless Expansion Board (BRD8016A) that has been designed after the Raspberry Pi Hardware Attached on Top (HAT) board specification, allowing the BRD4271A Radio Board to connect to a Raspberry Pi.

This document describes how to use the BRD4271A Radio Board together with a Wireless Starter Kit Mainboard, with a Wireless Pro Kit Mainboard, or with a Raspberry Pi.



## BRD4271A RADIO BOARD FEATURES

- EFR32FG25 Wireless Gecko Wireless SoC with 1920 kB Flash and 512 kB RAM (EFR32FG25B222F1920IM56)
- Sub-GHz integrated radio transceiver
- 16 dBm output power
- SMA antenna connector (863-870 MHz)
- 8 Mbit low-power serial flash for over-the-air upgrades.

## MAINBOARD FEATURES

- Advanced Energy Monitor
- Packet Trace Interface
- Logic analyzer (BRD4002A only)
- Virtual COM Port
- SEGGER J-Link on-board debugger
- External device debugging
- Ethernet and USB connectivity
- Silicon Labs Si7021 Relative Humidity and Temperature sensor
- Low-power 128x128 pixel Memory LCD
- User LEDs / Pushbuttons
- 20-pin 2.54 mm EXP header
- Breakout pads for Wireless SoC I/O
- CR2032 coin cell battery support

## SOFTWARE SUPPORT

- Simplicity Studio
- Energy Profiler
- Network Analyzer

## ORDERING INFORMATION

- FG25-RB4271A
- FG25-PK6012A
- Wi-SUN-PK6015A

# Table of Contents

<b>1. Introduction</b>	<b>4</b>
1.1 Radio Boards	4
1.2 Mainboards	4
1.3 Ordering Information	5
1.4 Getting Started	5
<b>2. Hardware Overview</b>	<b>6</b>
2.1 Hardware Layout	6
2.2 Block Diagram	7
<b>3. Connectors</b>	<b>8</b>
3.1 J-Link USB Connector	8
3.2 Ethernet Connector	8
3.3 Breakout Pads	9
3.4 EXP Header	.11
3.4.1 EXP Header Pinout	.12
3.5 Logic Analyzer Connector	.13
3.6 Debug Connector	.14
3.7 Simplicity Connector	.15
3.8 Mini Simplicity Connector	.16
3.9 Debug Adapter	.17
<b>4. Power Supply and Reset</b>	<b>18</b>
4.1 Radio Board Power Selection	.18
4.2 Kit Power	.19
4.2.1 Board Controller Power	.19
4.2.2 AEM Power	.19
4.3 EFR32 Reset	.19
<b>5. Peripherals</b>	<b>20</b>
5.1 USB Micro-B Connector	.20
5.2 Push Buttons and LEDs	.20
5.3 Memory LCD-TFT Display	.21
5.4 Serial Flash	.22
5.5 Virtual COM Port	.23
5.5.1 Host Interfaces	.24
5.5.2 Serial Configuration	.24
5.5.3 Hardware Handshake	.25
<b>6. Wireless Expansion Board</b>	<b>26</b>
6.1 Wireless Expansion Board Host Interfaces	.26

6.1.1	UART	.27
6.1.2	SPI	.27
6.2	Raspberry Pi Connector	.28
6.2.1	Wireless Expansion Board Raspberry Pi Connector Pinout.	.29
6.3	Wireless Expansion Board EXP Header	.30
6.3.1	Pass-through Expansion Header	.30
6.3.2	Wireless Expansion Board EXP Header Pinout	.31
6.4	Wireless Expansion Board Mini Simplicity Connector	.32
6.5	Wireless Expansion Board Power Supply	.33
<b>7.</b>	<b>Board Controller</b>	<b>35</b>
7.1	Introduction	.35
7.2	Admin Console	.35
7.2.1	Connecting	.35
7.2.2	Built-in Help	.36
7.2.3	Command Examples	.36
7.3	Virtual UART	.36
7.3.1	Target-to-Host.	.36
7.3.2	Host-to-Target.	.37
7.3.3	Limitations	.37
7.3.4	Troubleshooting	.37
<b>8.</b>	<b>Advanced Energy Monitor</b>	<b>38</b>
8.1	Introduction	.38
8.2	Code Correlation	.38
8.3	AEM Circuit	.38
8.3.1	AEM Details	.39
<b>9.</b>	<b>On-Board Debugger</b>	<b>40</b>
9.1	Host Interfaces	.40
9.1.1	USB Interface	.40
9.1.2	Ethernet Interface	.40
9.1.3	Serial Number Identification	.40
9.2	Debug Modes	.41
9.3	Debugging During Battery Operation	.42
<b>10.</b>	<b>Kit Configuration and Upgrades</b>	<b>43</b>
10.1	Firmware Upgrades	.43
<b>11.</b>	<b>Schematics, Assembly Drawings, and BOM</b>	<b>44</b>
<b>12.</b>	<b>Kit Revision History</b>	<b>45</b>
12.1	FG25-RB4271A Revision history	.45
12.2	FG25-PK6012A Revision history	.45
12.3	Wi-SUN-PK6015A Revision history	.45
<b>13.</b>	<b>Document Revision History</b>	<b>46</b>

## 1. Introduction

The EFR32FG25 Wireless Gecko Wireless SoC is featured on a radio board that plugs directly into a Wireless Starter Kit (Wireless STK) Mainboard or a Wireless Pro Kit Mainboard. The mainboards feature several tools for easy evaluation and development of wireless applications. An on-board J-Link debugger enables programming and debugging on the target device over USB or Ethernet. The Advanced Energy Monitor (AEM) offers real-time current and voltage monitoring. A virtual COM port interface (VCOM) provides an easy-to-use serial port connection over USB or Ethernet. The Packet Trace Interface (PTI) offers invaluable debug information about transmitted and received packets in wireless links. All debug functionality, including AEM, VCOM, and PTI, can also be used towards external target hardware instead of the attached radio board.

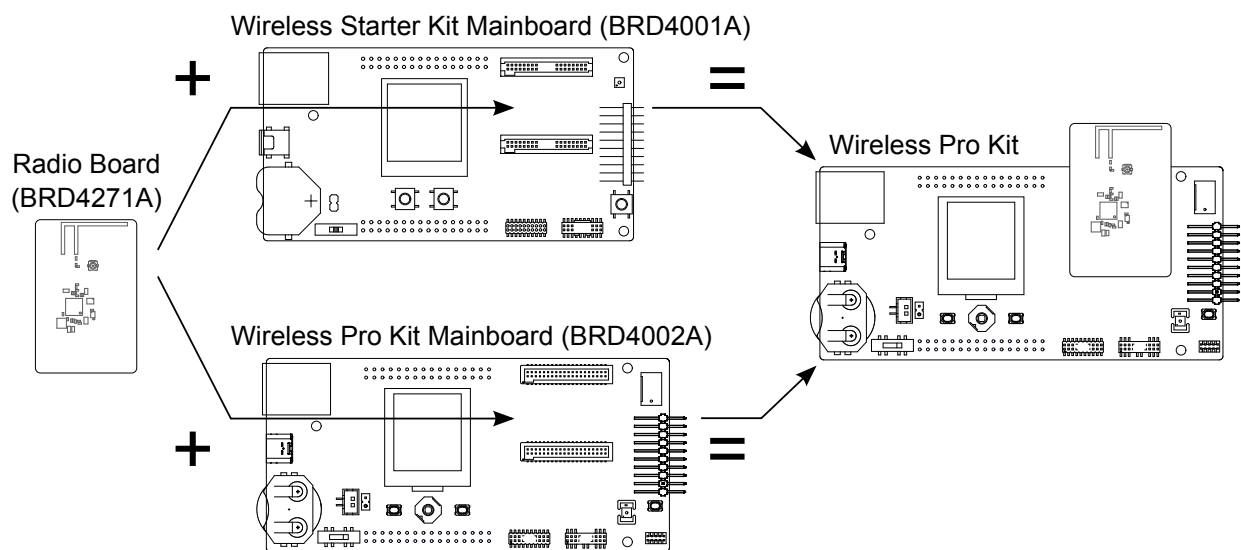
To further enhance its usability, the mainboard contains sensors and peripherals that demonstrate some of the many capabilities of the EFR32FG25. The mainboard also has a 20-pin EXP header which can be used for connecting EXP boards to the kit or for easy connection to I/Os on the radio board target IC.

### 1.1 Radio Boards

A Wireless Pro Kit consists of one or more mainboards and radio boards that plug into the mainboard. Different radio boards are available, each featuring different Silicon Labs devices with different operating frequency bands. Because the mainboards are designed to work with different radio boards, the actual pin mapping from a device pin to a mainboard feature is done on the radio board. This means that each radio board has its own pin mapping to the Wireless Pro Kit features, such as buttons, LEDs, the display, the EXP header, and the breakout pads. Because this pin mapping is different for every radio board, it is important to consult the correct document, which shows the kit features in context of the radio board plugged in.

### 1.2 Mainboards

The EFR32FG25 863-870 MHz 16 dBm Radio Board (BRD4271A) can be used with either a Wireless Starter Kit Mainboard (BRD4001A) or a Wireless Pro Kit Mainboard (BRD4002A). The Wireless Pro Kit Mainboard is the successor to the Wireless Starter Kit Mainboard, which comes with some improvements and added features including increased AEM measurement range and sample rate, variable VMCU voltage, joystick, a logic analyzer, and a Mini Simplicity Connector. Kit features, such as the Si7021 sensor and the EXP header, are available on the same EFR32FG25 pins regardless of the mainboard being used, but the pinout to the breakout pads differs. The combination of the EFR32FG25 863-870 MHz 16 dBm Radio Board with either one of these mainboards is hereby referred to as a Wireless Pro Kit as the figure below illustrates.



**Figure 1.1. Wireless Pro Kit Combinations**

**Note:** This document explains how to use the Wireless Pro Kit when the EFR32FG25 863-870 MHz 16 dBm Radio Board (BRD4271A) is combined with either a Wireless Starter Kit Mainboard (BRD4001A) or a Wireless Pro Kit Mainboard (BRD4002A). Since some of the functionality of the kit depends on the type of mainboard used, it is important to consult the right information in the user guide whenever there are discrepancies.

### 1.3 Ordering Information

BRD4271A can be obtained as a part of the FG25-PK6012A FG25 RoW Pro Kit, the Wi-SUN-PK6015A Wi-SUN FAN RoW Pro Kit, or as a separate radio board, FG25-RB4271A.

**Table 1.1. Ordering Information**

Part Number	Description	Contents
FG25-PK6012A	FG25 RoW Pro Kit	1x BRD4002A Wireless Pro Kit Mainboard 1x BRD4271A EFR32FG25 863-870 MHz 16 dBm Radio Board 1x 868 MHz dipole antenna (Chilisin BTEA0019130G8R2A01) 1x Flat Cable 10p 150 mm
Wi-SUN-PK6015A	Wi-SUN FAN RoW Pro Kit	3x BRD4002A Wireless Pro Kit Mainboard 3x BRD4271A EFR32FG25 863-870 MHz 16 dBm Radio Board 1x BRD8016A Wireless Expansion Board 3x 868 MHz dipole antenna (Chilisin BTEA0019130G8R2A01) 1x Flat Cable 10p 150 mm 1x 40-pin connector
FG25-RB4271A	EFR32FG25 863-870 MHz 16 dBm Radio Board	1x BRD4271A EFR32FG25 863-870 MHz 16 dBm Radio Board 1x 868 MHz dipole antenna (Chilisin BTEA0019130G8R2A01)

### 1.4 Getting Started

Detailed instructions for how to get started can be found on the Silicon Labs web pages: <http://www.silabs.com/dev-tools>.

## 2. Hardware Overview

### 2.1 Hardware Layout

The layout of the EFR32FG25 863-870 MHz 16 dBm Wireless Pro Kit when the radio board is combined with a Wireless Pro Kit Mainboard (BRD4002A) or a Wireless STK Mainboard (BRD4001A) is shown below.

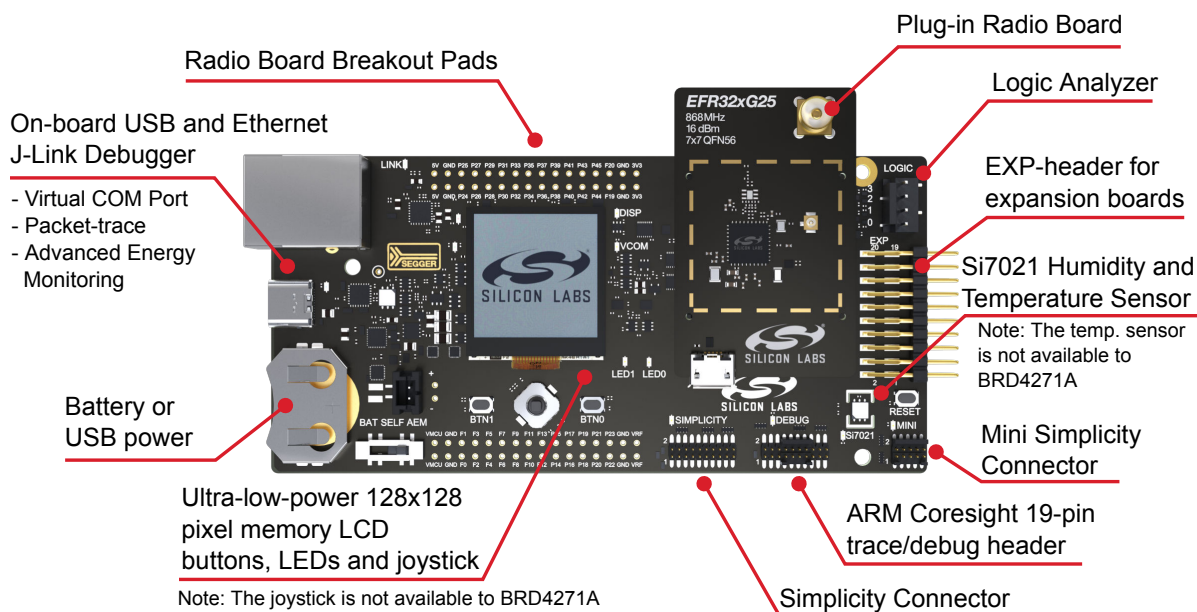


Figure 2.1. Hardware Layout With A Wireless Pro Kit Mainboard (BRD4002A)

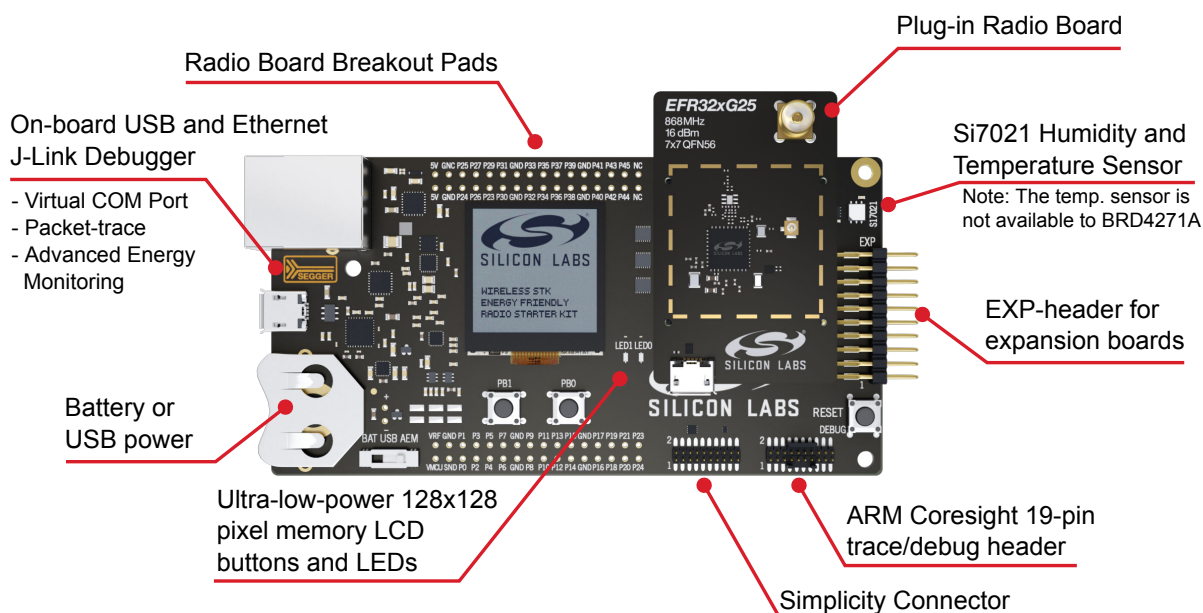


Figure 2.2. Hardware Layout With A Wireless STK Mainboard (BRD4001A)

## 2.2 Block Diagram

An overview of the EFR32FG25 863-870 MHz 16 dBm Wireless Pro Kit is shown in the figure below.

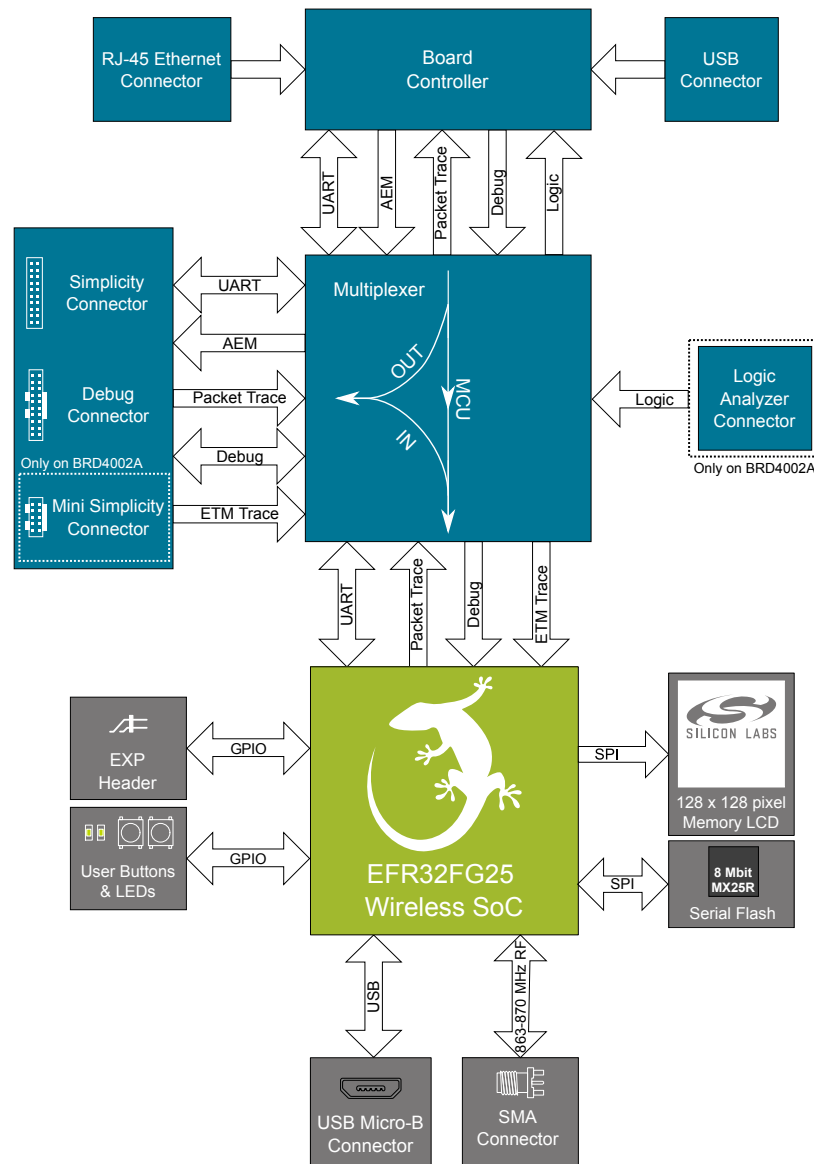


Figure 2.3. Kit Block Diagram



### 3. Connectors

This chapter gives you an overview of the mainboard connectivity. The placement of the connectors on the Wireless Pro Kit Mainboard (BRD4002A) and the Wireless STK Mainboard (BRD4001A) is shown below.

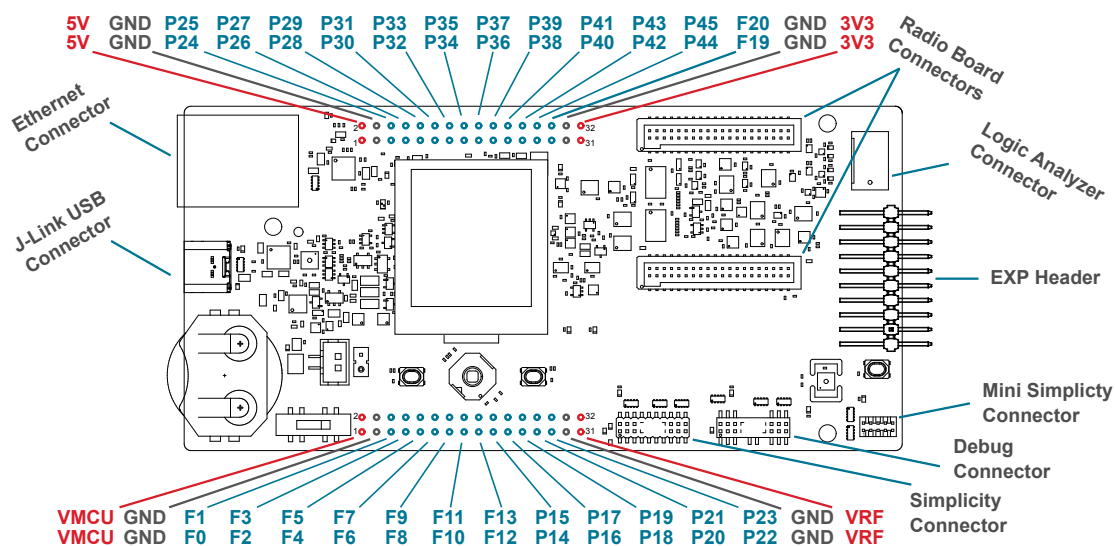


Figure 3.1. Wireless Pro Kit Mainboard (BRD4002A) Connector Layout

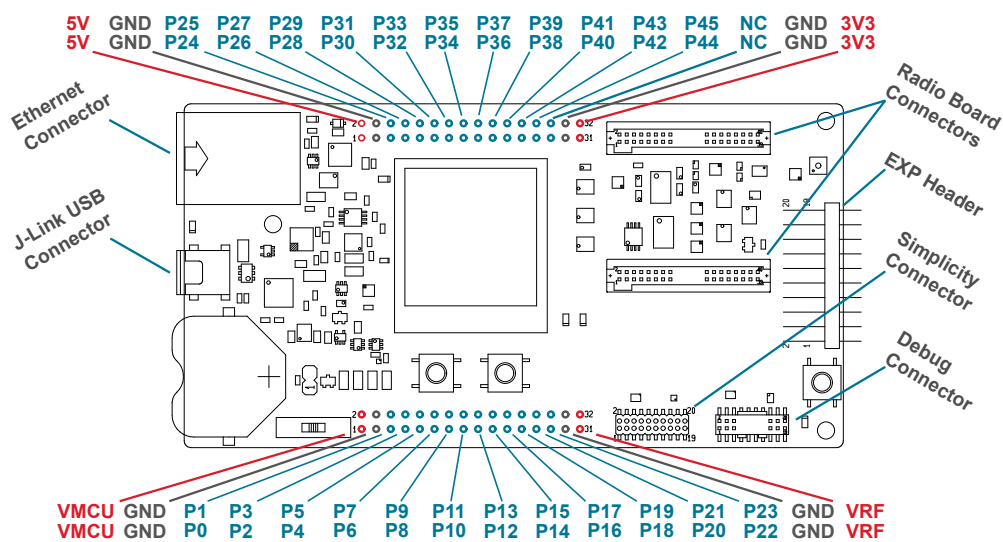


Figure 3.2. Wireless STK Mainboard (BRD4001A) Connector Layout

#### 3.1 J-Link USB Connector

The J-Link USB connector is situated on the left side of the mainboard and provides access to the kit features described in Section 7. [Board Controller](#) through the USB interface. In addition to providing access to development features of the kit, this USB connector is also the main power source for the kit powering both the board controller and the AEM as described in Section 4. [Power Supply and Reset](#).

#### 3.2 Ethernet Connector

The Ethernet connector is situated on the left side of the mainboard and provides access to the kit features described in Section 7. [Board Controller](#) over TCP/IP. The J-Link USB connector must be connected while using this interface to provide power to the Wireless Pro Kit as power is not supplied over the Ethernet connector.



### 3.3 Breakout Pads

Most of the EFR32 pins are routed from the radio board to breakout pads at the top and bottom edges of the mainboard. A 2.54 mm pitch pin header can be soldered on for easy access to the pins. The figures below show how the EFR32 pins map to the pin numbers printed on the breakout pads on the Wireless Pro Kit Mainboard (BRD4002A) and the Wireless STK Mainboard (BRD4001A). To see the available functions on each pin, refer to the data sheet for EFR32FG25B222F1920IM56.

**Note:** Pinout to the breakout pads depends on the mainboard being used.



Figure 3.3. Wireless Pro Kit Mainboard (BRD4002A) Breakout Pad Pin Mapping

BOTTOM EDGE	
<b>VMCU</b>	◦ ◦ <b>VMCU</b>
GND	◦ ◦ GND
VCOM_CTS / EXP3 / PA10 / P0	◦ ◦ P1 / PC0 / EXP4 / FLASH_MOSI
VCOM_RTS / EXP5 / PA0 / P2	◦ ◦ P3 / PC1 / EXP6 / FLASH_MISO
TRACED1 / EXP7 / PA5 / P4	◦ ◦ P5 / PC2 / EXP8 / FLASH_SCLK
NC / P6	◦ ◦ P7 / PB4 / EXP10
TRACED2 / EXP11 / PA6 / P8	◦ ◦ P9 / PA8 / EXP12 / VCOM_TX
TRACED3 / EXP13 / PA7 / P10	◦ ◦ P11 / PA9 / EXP14 / VCOM_RX
I2C_SCL / EXP15 / PB2 / P12	◦ ◦ P13 / PB3 / EXP16 / I2C_SDA
DBG_TRACECLK / DBG_TDI / PA4 / P14	◦ ◦ P15 / PA11 / VCOM_ENABLE
DBG_TRACED0 / DBG_TMS_SWO / PA3 / P16	◦ ◦ P17 / PB0 / BTN0
DBG_TMS_SWDIO / PA2 / P18	◦ ◦ P19 / NC
DBG_TCK_SWCLK / PA1 / P20	◦ ◦ P21 / PB1 / BTN1
NC / P22	◦ ◦ P23 / PB5 / DISP_ENABLE
GND	◦ ◦ GND
<b>VRF</b>	◦ ◦ <b>VRF</b>
TOP EDGE	
<b>5V</b>	◦ ◦ <b>5V</b>
GND	◦ ◦ GND
PTI_SYNC / PD4 / P24	◦ ◦ P25 / PD3 / PTI_DATA
UIF_LED1 / PC7 / P26	◦ ◦ P27 / PC6 / LED0
NC / P28	◦ ◦ P29 / PC8 / DISP_EXTCOMIN
NC / P30	◦ ◦ P31 / PD5 / DISP_SCS
NC / P32	◦ ◦ P33 / PC5 / DISP_SCLK
NC / P34	◦ ◦ P35 / PC4 / DISP_SI
NC / P36	◦ ◦ P37 / NC
NC / P38	◦ ◦ P39 / NC
NC / P40	◦ ◦ P41 / PA4 / DBG_TDI / DBG_TRACECLK
DBG_TRACED0 / DBG_TMS_SWO / PA3 / P42	◦ ◦ P43 / PA5 / EXP7 / DBG_TRACED1
DBG_TRACED2 / EXP11 / PA6 / P44	◦ ◦ P45 / PA7 / EXP13 / DBG_TRACED3
NC	◦ ◦ NC
GND	◦ ◦ GND
<b>3V3</b>	◦ ◦ <b>3V3</b>

Figure 3.4. Wireless STK Mainboard (BRD4001A) Breakout Pad Pin Mapping

### 3.4 EXP Header

The EXP header is an angled, 20-pin expansion header that allows connection of peripherals or plugin boards to the kit. It is located on the right-hand side of the mainboard and contains several I/O pins that can be used with most of the EFR32 Wireless Gecko's features. Additionally, the VMCU, 3V3, and 5V power rails are also exposed.

The connector follows a standard which ensures that commonly used peripherals, such as a SPI, a UART, and an I2C bus, are available on fixed locations in the connector. The rest of the pins are used for general purpose IO. This allows the definition of expansion boards (EXP boards) that can plug into several different Silicon Labs Starter Kits.

The figure below shows the pin assignment of the EXP header. Because of limitations in the number of available GPIO pins, some of the EXP header pins are shared with kit features.

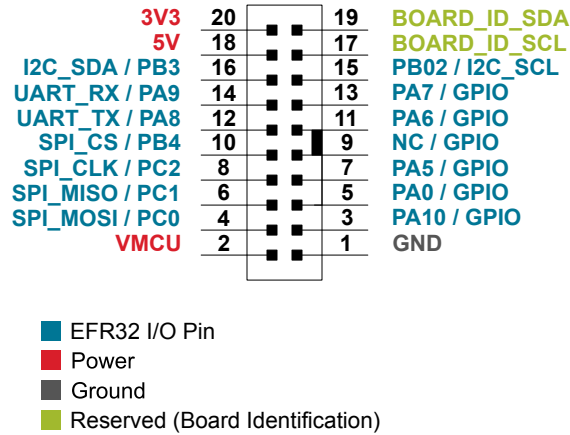


Figure 3.5. EXP Header

### 3.4.1 EXP Header Pinout

The pin-routing on the EFR32 is very flexible, so most peripherals can be routed to any pin. However, many pins are shared between the Expansion Header and other functions on the mainboard. [Table 3.1 Expansion Header Pinout on page 12](#) includes an overview of the mainboard features that share pins with the Expansion Header.

**Table 3.1. Expansion Header Pinout**

Pin	Connection	EXP Header Function	Shared Feature	Peripheral Mapping
20	3V3	Board controller supply		
18	5V	Board USB voltage		
16	PB3	I2C_SDA	SENSOR_I2C_SDA	I2C0_SDA
14	PA9	UART_RX	VCOM_RX	USART0_RX
12	PA8	UART_TX	VCOM_TX	USART0_TX
10	PB4	SPI_CS	–	USART1_CS
8	PC2	SPI_SCLK	FLASH_SCLK, DISP_SCLK	USART1_CLK
6	PC1	SPI_MISO	FLASH_MISO	USART1_RX
4	PC0	SPI_MOSI	FLASH_MOSI, DISP_SI	USART1_TX
2	VMCU	EFR32 GPIO voltage domain, included in AEM measurements.		
19	BOARD_ID_SDA	Connected to board controller for identification of add-on boards.		
17	BOARD_ID_SCL	Connected to board controller for identification of add-on boards.		
15	PB2	I2C_SCL	SENSOR_I2C_SCL	I2C0_SCL
13	PA7	GPIO	–	
11	PA6	GPIO	–	
9	NC	GPIO	–	
7	PA5	GPIO	–	
5	PA0	GPIO	VCOM_RTS	
3	PA10	GPIO	VCOM_CTS	
1	GND	Ground		

### 3.5 Logic Analyzer Connector

The Wireless Pro Kit Mainboard includes an on-board, eight-channel logic analyzer. It enables four digital signals to be sampled and displayed in Simplicity Studio, in addition to the state of the on-board user interface LEDs and buttons. The logic analyzer is a good tool for correlating specific events to the AEM energy profile and packet trace data as these are time-synchronized and can be visualized together. The sampling rate of 100 kHz limits its use in decoding digital protocols like I<sup>2</sup>C or SPI.

The logic analyzer connector is situated on the top right side of the Wireless Pro Kit Mainboard. Four signals (channel 0-3) can be connected to the logic analyzer using this connector and the test probes that are obtainable through the "Si-DA001A Pro Kit Mainboard Accessory Kit". The test probes can be connected to the kit itself or on an external board connected to the Wireless Pro Kit Mainboard. Note that in both cases the connected signals must be digital, and the voltages referenced to ground and VMCU on the Wireless Pro Kit Mainboard. The table below gives an overview of the logic analyzer signals.

**Note:** The logic analyzer is only available on the Wireless Pro Kit Mainboard (BRD4002A). Using the external signals requires test probes which are obtainable through the "Si-DA001A Pro Kit Mainboard Accessory Kit".

**Table 3.2. Logic Analyzer Signal Description**

Type	Channel	Description
External signal	0	Connector (ch0)
	1	Connector (ch1)
	2	Connector (ch2)
	3	Connector (ch3)
Internal signal	4	LED0
	5	LED1
	6	BTN0
	7	BTN1

### 3.6 Debug Connector

The debug connector serves multiple purposes based on the "debug mode" setting which can be configured in Simplicity Studio. When the debug mode is set to "Debug IN", the debug connector can be used to connect an external debugger to the EFR32 on the radio board. When set to "Debug OUT", this connector allows the kit to be used as a debugger towards an external target. When set to "Debug MCU" (default), the connector is isolated from both the on-board debugger and the radio board target device.

Because this connector is electronically switched between the different operating modes, it can only be used when the board controller is powered (i.e., J-Link USB cable connected). If debug access to the target device is required when the board controller is unpowered, connect directly to the appropriate breakout pins.

The pinout of the connector follows that of the standard ARM Cortex Debug+ETM 19-pin connector. The pinout is described in detail below. Even though the connector has support for both JTAG and ETM Trace, it does not necessarily mean that the kit or the on-board target device supports these features.

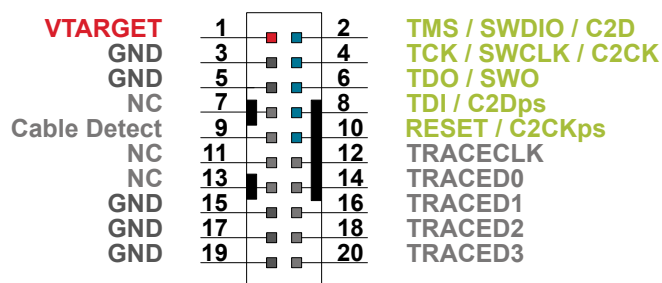


Figure 3.6. Debug Connector

**Note:** The pinout matches the pinout of an ARM Cortex Debug+ETM connector, but these are not fully compatible because pin 7 is physically removed from the Cortex Debug+ETM connector. Some cables have a small plug that prevents them from being used when this pin is present. If this is the case, remove the plug or use a standard 2x10 1.27 mm straight cable instead.

Table 3.3. Debug Connector Pin Descriptions

Pin Number(s)	Function	Description
1	VTARGET	Target reference voltage. Used for shifting logical signal levels between target and debugger.
2	TMS / SDWIO / C2D	JTAG test mode select, Serial Wire data, or C2 data
4	TCK / SWCLK / C2CK	JTAG test clock, Serial Wire clock, or C2 clock
6	TDO/SWO	JTAG test data out or Serial Wire Output
8	TDI / C2Dps	JTAG test data in or C2D "pin sharing" function
10	RESET / C2CKps	Target device reset or C2CK "pin sharing" function
12	TRACECLK	ETM clock
14	TRACED0	ETM data 0
16	TRACED1	ETM data 1
18	TRACED2	ETM data 2
20	TRACED3	ETM data 3
9	Cable detect	Connect to ground
7, 11, 13	NC	Not connected
3, 5, 15, 17, 19	GND	Ground

### 3.7 Simplicity Connector

The Simplicity Connector enables the advanced debugging features, such as the AEM, the virtual COM port, and the Packet Trace Interface, to be used towards an external target. The pinout is illustrated in the figure below.

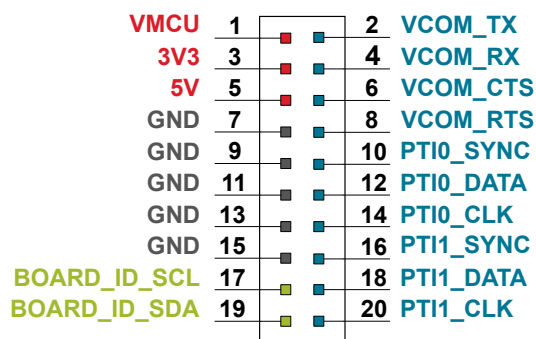


Figure 3.7. Simplicity Connector

**Note:** Current drawn from the VMCU voltage pin is included in the AEM measurements, while the 3V3 and 5V voltage pins are not. When monitoring the current consumption of an external target with the AEM, unplug the radio board from the mainboard to avoid adding the radio board's current consumption to the measurements.

Table 3.4. Simplicity Connector Pin Descriptions

Pin Number(s)	Function	Description
1	VMCU	3.3 V power rail, monitored by the AEM
3	3V3	3.3 V power rail
5	5V	5 V power rail
2	VCOM_TX	Virtual COM Tx
4	VCOM_RX	Virtual COM Rx
6	VCOM_CTS	Virtual COM CTS
8	VCOM_RTS	Virtual COM RTS
10	PTI0_SYNC	Packet Trace 0 Sync
12	PTI0_DATA	Packet Trace 0 Data
14	PTI0_CLK	Packet Trace 0 Clock
16	PTI1_SYNC	Packet Trace 1 Sync
18	PTI1_DATA	Packet Trace 1 Data
20	PTI1_CLK	Packet Trace 1 Clock
17	BOARD_ID_SCL	Board ID SCL
19	BOARD_ID_SDA	Board ID SDA
7, 9, 11, 13, 15	GND	Ground



### 3.8 Mini Simplicity Connector

The Mini Simplicity Connector on the Wireless Pro Kit Mainboard offers advanced debugging features on a 10-pin connector to be used towards an external target. The Mini Simplicity Connector offers the following features:

- Serial Wire Debug (SWD) with SWO
- Packet Trace Interface (PTI)
- Virtual COM port (VCOM)
- AEM monitored voltage rail

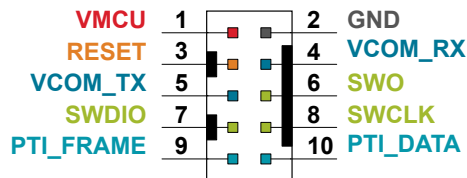


Figure 3.8. Mini Simplicity Connector

**Note:** Current drawn from the VMCU voltage pin is included in the AEM measurements. When monitoring the current consumption of an external target with the AEM, unplug the radio board from the Wireless Pro Kit Mainboard to avoid adding the radio board's current consumption to the measurements.

Table 3.5. Mini Simplicity Connector Pin Descriptions

Pin Number(s)	Function	Description
1	VMCU	Target voltage on the debugged application. Supplied and monitored by the AEM when power selection switch is in the "AEM" position.
2	GND	Ground
3	RST	Target device reset
4	VCOM_RX	Virtual COM Rx
5	VCOM_TX	Virtual COM Tx
6	SWO	Serial Wire Output
7	SWDIO	Serial Wire Data
8	SWCLK	Serial Wire Clock
9	PTI_FRAME	Packet Trace Frame Signal
10	PTI_DATA	Packet Trace Data Signal

**Note:** Mini Simplicity Connector pin-out is referenced from the device target side.

### 3.9 Debug Adapter

The BRD8010A STK/WSTK Debug Adapter is an adapter board which plugs directly into the debug connector and the Simplicity Connector on the mainboard. It combines selected functionality from the two connectors to a smaller footprint 10-pin connector, which is more suitable for space-constrained designs.

For versatility, the debug adapter features three different 10-pin debug connectors:

- Silicon Labs Mini Simplicity Connector
- ARM Cortex 10-pin Debug Connector
- Silicon Labs ISA3 Packet Trace

The ARM Cortex 10-pin Debug Connector follows the standard Cortex pinout defined by ARM and allows the Wireless Pro Kit to be used to debug hardware designs that use this connector.

The ISA3 connector follows the same pinout as the Packet Trace connector found on the Silicon Labs Ember Debug Adapter (ISA3). This enables using the Wireless Pro Kit to debug hardware designs that use this connector.

The Mini Simplicity Connector is designed to offer advanced debug features from the kit on a 10-pin connector. The connector has the same pinout and functionality as described in [3.8 Mini Simplicity Connector](#). It is only necessary to use the debug adapter to get access to the Mini Simplicity Connector when using the Wireless STK Mainboard (BRD4001A). If using the Wireless Pro Kit Mainboard (BRD4002A), use the Mini Simplicity Connector on the mainboard instead.

## 4. Power Supply and Reset

### 4.1 Radio Board Power Selection

The EFR32 on a Wireless Pro Kit can be powered by one of these sources:

- The debug USB cable
- The radio board USB cable

The power source for the radio board is selected with the slide switch in the lower left corner of the Wireless STK Mainboard or the Wireless Pro Kit Mainboard. The figure below shows how the different power sources can be selected with the slide switch.

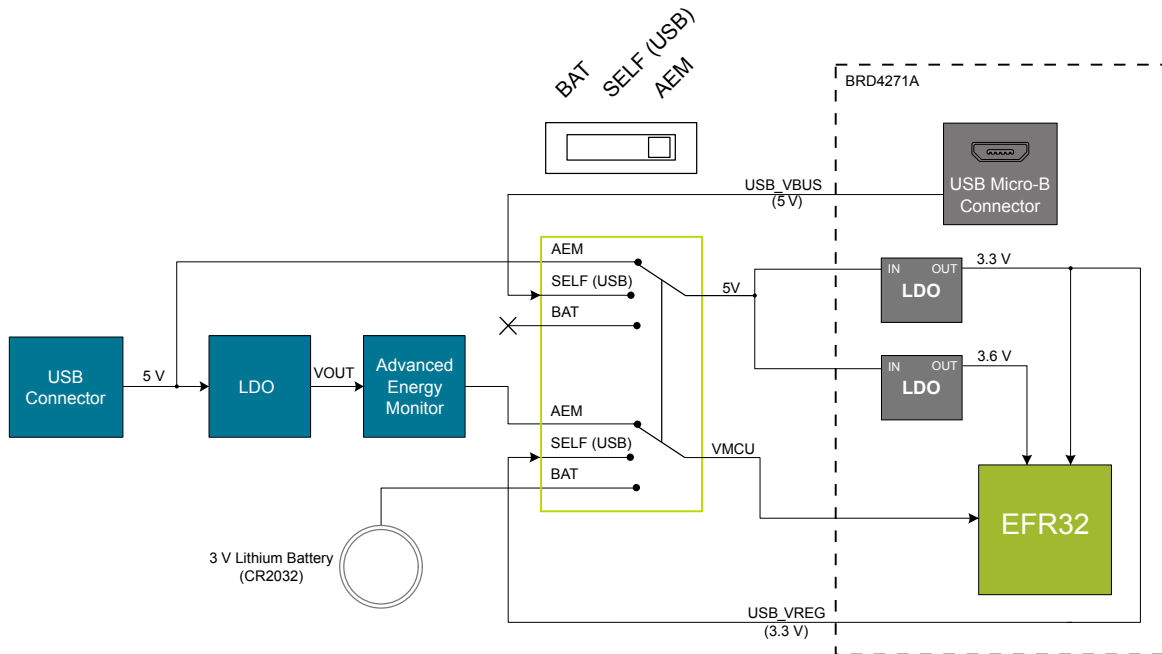


Figure 4.1. Power Switch

**Note:** The middle position is denoted by "USB" on the Wireless STK Mainboard, while it is denoted by "SELF" on the Wireless Pro Kit Mainboard. The slide switch functions the same on both mainboards.

**Note:** The AEM can only measure the current consumption of the EFR32 from the VMCU line when the power selection switch is in the **AEM** position. Current consumption from the 5V line is not measured.

**AEM position:** With the switch in the AEM position, the BRD4271A Radio Board is powered from the debug USB cable. All the EFR32 supply pins are powered by the 5V net through LDOs on the radio board, except for IOVDD0 and IOVDD1, which are powered by VMCU. Therefore, the current measured by the AEM on this radio board will only include the IOVDD0 and IOVDD1 current consumption and will not give a correct result of the EFR32 overall current consumption.

**USB position:** With the switch in the USB position, the on-board LDOs on the BRD4271A are used to power the radio board.

**BAT position:** Operation from the 3 V coin cell battery is not supported as the BRD4271A requires 5 V supply for the on-board LDOs.

## 4.2 Kit Power

There are normally two main contributions to the power consumption from the mainboard USB connector, i.e., two main current paths:

- One that goes to the target power domain
- One that goes to the board controller power domain

While the current consumption of the board controller section is fairly deterministic and stable, the current consumption of the radio board varies widely depending on the application. Typically, the board controller power domain draws 200 mA on the Wireless Starter Kit Mainboard (BRD4001A) and 250 mA on the Wireless Pro Kit Mainboard (BRD4002A). The radio board's maximum current consumption from the 5V net should be under 250 mA. The mainboards use linear regulators, and the recommended input voltage is 4.4 - 5.25 V. Use a USB host or power supply and cables that can deliver at least the total amount of current required by the kit.

The 5V net exposed on the breakout pads, EXP header, and radio board is also sourced from the mainboard USB connector when the power select switch is in the AEM position. The 3V3 net exposed on the same peripherals is always sourced from the mainboard USB connector. The current consumption of these nets must be included in the total current consumption of the kit if these are utilized.

### 4.2.1 Board Controller Power

The board controller is responsible for important features, such as the debugger and the AEM, and is powered exclusively through the USB port in the top left corner of the board. This part of the kit resides on a separate power domain, so a different power source can be selected for the target device while retaining debugging functionality. This power domain is also isolated to prevent current leakage from the target power domain when power to the board controller is removed.

The board controller power domain is not influenced by the position of the power switch.

The kit has been carefully designed to keep the board controller and the target power domains isolated from each other as one of them powers down. This ensures that the target EFR32 device will continue to operate in the **BAT** mode.

### 4.2.2 AEM Power

The supply for the target power domain (VMCU) is a linear regulator integrated with the AEM described in Section 8. [Advanced Energy Monitor](#) when the power select switch is in the AEM position. The output voltage of the regulator is fixed to 3.3 V on the Wireless STK Mainboard (BRD4001A), while it can be adjusted between 1.8 V and 3.6 V on the Wireless Pro Kit Mainboard (BRD4002A) using the [admin console](#).

The output current on the Wireless Pro Kit Mainboard (BRD4002A) is limited by an overcurrent protection (OCP) function, which depends on the programmed VMCU voltage:  $OCP (A) \approx VMCU_{SET} (V) \times 0.2 (A/V)$ . Approaching or exceeding the OCP limit is not recommended as the output voltage will be pulled low, which causes loss of function.

The maximum recommended output current on the Wireless STK Mainboard (BRD4001A) is 300 mA.

## 4.3 EFR32 Reset

The EFR32 Wireless SoC can be reset by a few different sources:

- A user pressing the RESET button
- The on-board debugger pulling the #RESET pin low
- An external debugger pulling the #RESET pin low

In addition to the reset sources mentioned above, a reset to the EFR32 will also be issued during board controller boot-up. This means that removing power to the board controller (unplugging the J-Link USB cable) will not generate a reset but plugging the cable back in will as the board controller boots up.

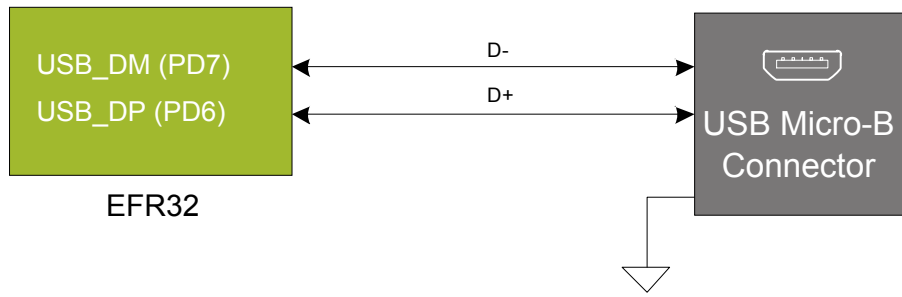
## 5. Peripherals

The Wireless Pro Kit has a set of peripherals that showcase some of the EFR32 features.

Note that most EFR32 I/Os routed to peripherals are also routed to the breakout pads or the EXP header, which must be taken into consideration when using these I/Os.

### 5.1 USB Micro-B Connector

The BRD4271A Radio Board is equipped with a USB Micro-B connector that is connected directly to the EFR32 Wireless Gecko. [Figure 5.1 Radio Board USB Connector on page 20](#) shows how the USB lines are connected to the EFR32.



**Figure 5.1. Radio Board USB Connector**

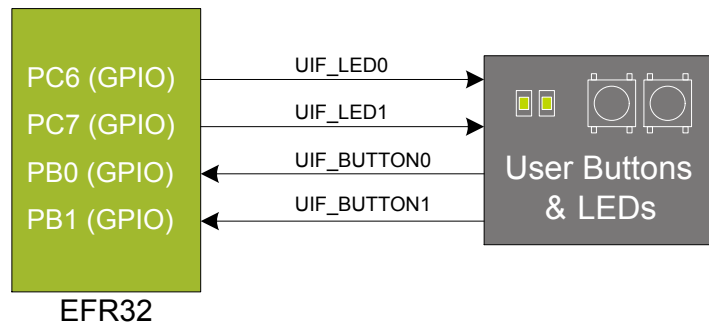
The EFR32 on the Wireless Pro Kit can be powered through the USB connector on the BRD4271A Radio Board. For details, refer to [4.1 Radio Board Power Selection](#).

**Note:** Standalone operation of the radio board from the on-board USB connector is not supported.

### 5.2 Push Buttons and LEDs

The kit has two user push buttons marked BTN0 and BTN1. They are connected directly to the EFR32 and are debounced by RC filters with a time constant of 1 ms. The buttons are connected to pins PB0 and PB1.

The kit also features two yellow LEDs marked LED0 and LED1 that are controlled by GPIO pins on the EFR32. The LEDs are connected to pins PC6 and PC7 in an active-high configuration.



**Figure 5.2. Buttons and LEDs**

### 5.3 Memory LCD-TFT Display

A 1.28-inch SHARP Memory LCD-TFT is available on the kit to enable interactive applications to be developed. The display has a high resolution of 128 x 128 pixels and consumes very little power. It is a reflective monochrome display, so each pixel can only be light or dark, and no backlight is needed in normal daylight conditions. Data sent to the display is stored in the pixels on the glass, which means no continuous refreshing is required to maintain a static image.

The display interface consists of a SPI-compatible serial interface and some extra control signals. Pixels are not individually addressable, instead data is sent to the display one line (128 bits) at a time.

The Memory LCD-TFT display is shared with the kit's board controller, allowing the board controller application to display useful information when the user application is not using the display. The user application always controls ownership of the display with the DISP\_ENABLE signal:

- DISP\_ENABLE = LOW: The board controller has control of the display
- DISP\_ENABLE = HIGH: The user application (EFR32) has control of the display

Power to the display is sourced from the target application power domain when the EFR32 controls the display and from the board controller's power domain when the DISP\_ENABLE line is low. Data is clocked in on DISP\_SI when DISP\_CS is high, and the clock is sent on DISP\_SCLK. The maximum supported clock speed is 1.1 MHz.

DISP\_EXTCOMIN is the "COM Inversion" line. It must be pulsed periodically to prevent static build-up in the display itself. Refer to the LS013B7DH03 documentation for more information on driving the display.

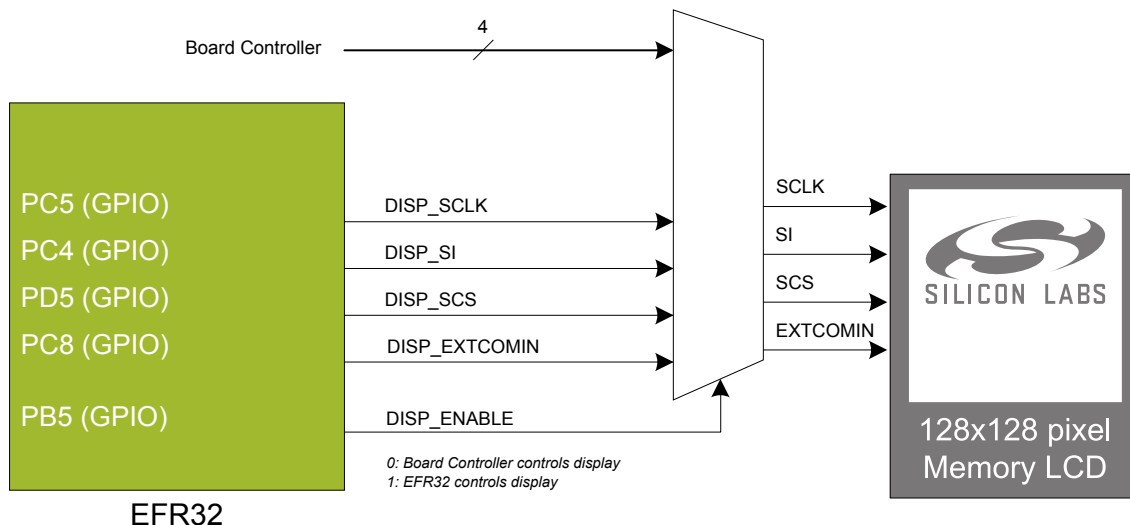
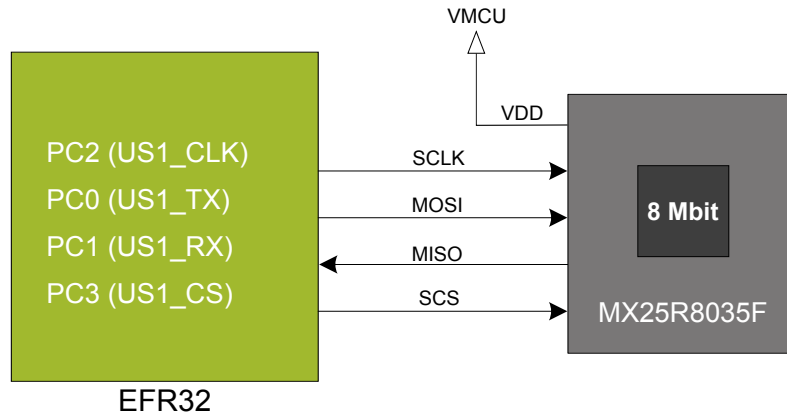


Figure 5.3. 128x128 Pixel Memory LCD

### 5.4 Serial Flash

The BRD4271A Radio Board is equipped with an 8 Mbit Macronix MX25R SPI flash that is connected directly to the EFR32. The figure below shows how the serial flash is connected to the EFR32.



**Figure 5.4. Radio Board Serial Flash**

The MX25R series are ultra-low-power serial flash devices, so there is no need for a separate enable switch to keep current consumption down. However, it is important that the flash is always put in deep power down mode when not used. This is done by issuing a command over the SPI interface. In deep power down, the MX25R typically adds approximately 100 nA to the radio board current consumption.



## 5.5 Virtual COM Port

An asynchronous serial connection to the board controller is provided for application data transfer between a host PC and the target EFR32. This eliminates the need for an external serial port adapter.

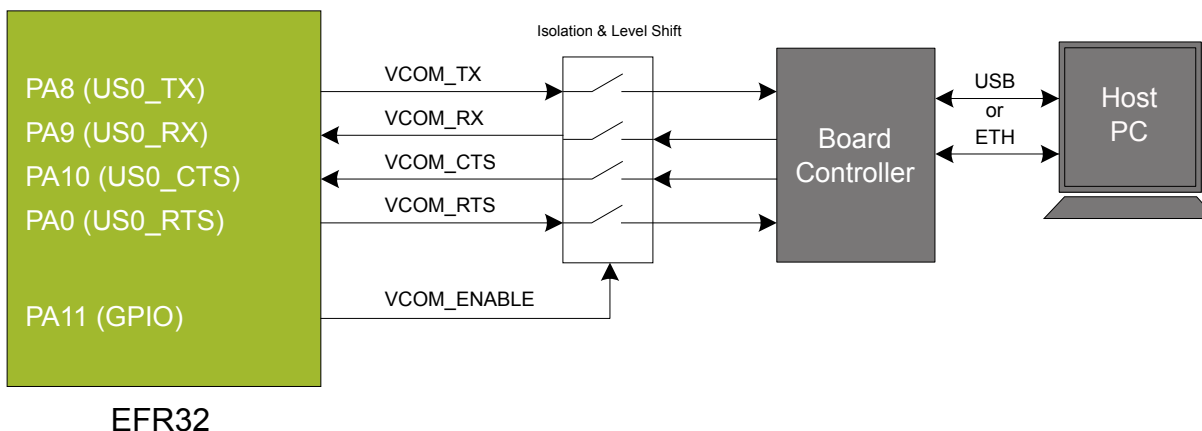


Figure 5.5. Virtual COM Port Interface

The virtual COM port consists of a physical UART between the target device and the board controller and a logical function in the board controller that makes the serial port available to the host PC over USB or Ethernet. The UART interface consists of four pins and an enable signal.

Table 5.1. Virtual COM Port Interface Pins

Signal	Description
VCOM_TX	Transmit data from the EFR32 to the board controller
VCOM_RX	Receive data from the board controller to the EFR32
VCOM_CTS	Clear to Send hardware flow control input, asserted by the board controller when it is ready to receive more data
VCOM_RTS	Request to Send hardware flow control output, asserted by the EFR32 when it is ready to receive more data
VCOM_ENABLE	Enables the VCOM interface, allowing data to pass through to the board controller

The parameters of the serial port, such as baud rate or flow control, can be configured using the [admin console](#). The default settings depend on which radio board is used with the mainboard.

**Note:** The VCOM port is only available when the board controller is powered, which requires the J-Link USB cable to be inserted.

**Note:** There may be slight differences on the terminal prompt and settings between the Wireless Starter Kit Mainboard and the Wireless Pro Kit Mainboard.

### 5.5.1 Host Interfaces

Data can be exchanged between the board controller and the target device through the VCOM interface, which is then available to the user in two different ways:

- Virtual COM port using a standard USB-CDC driver
- TCP/IP by connecting to the Wireless STK on TCP/IP port 4901 with a Telnet client

When connecting via USB, the device should automatically show up as a COM port. The actual device name that is associated with the kit depends on the operating system and how many devices are or have been connected previously. The following are examples of what the device might show up as:

- JLink CDC UART Port (COM5) on Windows hosts
- /dev/cu.usbmodem1411 on macOS
- /dev/ttyACM0 on Linux

Data sent by the target device into the VCOM interface can be read from the COM port, and data written to the port is transmitted to the target device. Connecting to the Wireless STK on port 4901 gives access to the same data over TCP/IP. Data written into the VCOM interface by the target device can be read from the socket, and data written into the socket is transmitted to the target device.

**Note:** Only one of these interfaces can be used at the same time, with the TCP/IP socket taking priority. This means that if a socket is connected to port 4901, no data can be sent or received on the USB COM port.

### 5.5.2 Serial Configuration

By default, the VCOM serial port is configured to use 115200 8N1 (115.2 kbit/s, 8 data bits, 1 stop bit) with flow control disabled/ignored. The configuration can be changed using the admin console:

```
WPK> serial vcom config  
Usage: serial vcom config [--nostore] [handshake <rts/cts/rtscts/disable/auto>] [speed <9600,921600>]
```

Using this command, the baud rate can be configured between 9600 and 921600 bit/s, and hardware handshake can be enabled or disabled on either or both flow control pins.

### 5.5.3 Hardware Handshake

The VCOM peripheral supports basic RTS/CTS flow control.

VCOM\_CTS (target clear to send) is a signal that is output from the board controller and input to the target device. The board controller de-asserts this pin whenever its input buffer is full and it is unable to accept more data from the target device. If hardware handshake is enabled in the target firmware, its UART peripheral will halt when data is not being consumed by the host. This implements end-to-end flow control for data moving from the target device to the host.

VCOM\_CTS is connected to the RTS pin on the board controller and is enabled by setting handshake to either RTS or RTSCTS using the "serial vcom config" command.

VCOM\_RTS (target request to send) is a signal that is output from the target device and input to the board controller. The board controller will halt transmission of data towards the target if the target device de-asserts this signal. This gives the target firmware a means to hold off incoming data until it can be processed. Note that de-asserting RTS will not abort the byte currently being transmitted, so the target firmware must be able to accept at least one more character after RTS is de-asserted.

VCOM\_RTS is connected to the CTS pin of the board controller. It is enabled by setting handshake to either CTS or RTSCTS using the "serial vcom config" command in the admin console. If CTS flow control is disabled, the state of VCOM\_RTS will be ignored and data will be transmitted to the target device anyway.

**Table 5.2. Hardware Handshake Configuration**

Mode	Description
disabled	RTS (VCOM_CTS) is not driven by the board controller and CTS (VCOM_RTS) is ignored.
rts	RTS (VCOM_CTS) is driven by the board controller to halt target from transmitting when input buffer is full. CTS (VCOM_RTS) is ignored.
cts	RTS (VCOM_CTS) is not driven by the board controller. Data is transmitted to the target device if CTS (VCOM_RTS) is asserted and halted when de-asserted.
rtscts	RTS (VCOM_CTS) is driven by the board controller to halt target when buffers are full. Data is transmitted to the target device if CTS (VCOM_RTS) is asserted and halted when de-asserted.

**Note:** Enabling CTS flow control without configuring the VCOM\_RTS pin can result in no data being transmitted from the host to the target device.

## 6. Wireless Expansion Board

The Wi-SUN FAN RoW Pro Kit (OPN: Wi-SUN-PK6015A) contains a Wireless Expansion Board (BRD8016A). The BRD4271A Radio Board plugs directly into that board.

The primary purpose of the Wireless Expansion Board is to enable the connection of the radio board to a Raspberry Pi (not included in the kit) and so to function as a Raspberry Pi HAT. To do so, a dual row, female socket, 0.1" pitch connector (included in the kit) must be soldered in. For a detailed description of this use case, refer to [AN1332: Silicon Labs Wi-SUN Network Setup and Configuration](#). Although not an intended use case for the kit, the Wireless Expansion Board can also be connected to a Wireless Pro Kit (or to other MCU STKs) through the Expansion Header connectors.

**Note:** Do not connect the Wireless Expansion Board to both a Raspberry Pi and a Wireless Pro Kit (or an MCU STK) at the same time.

This chapter gives an overview of the Wireless Expansion Board connectivity and power connections.

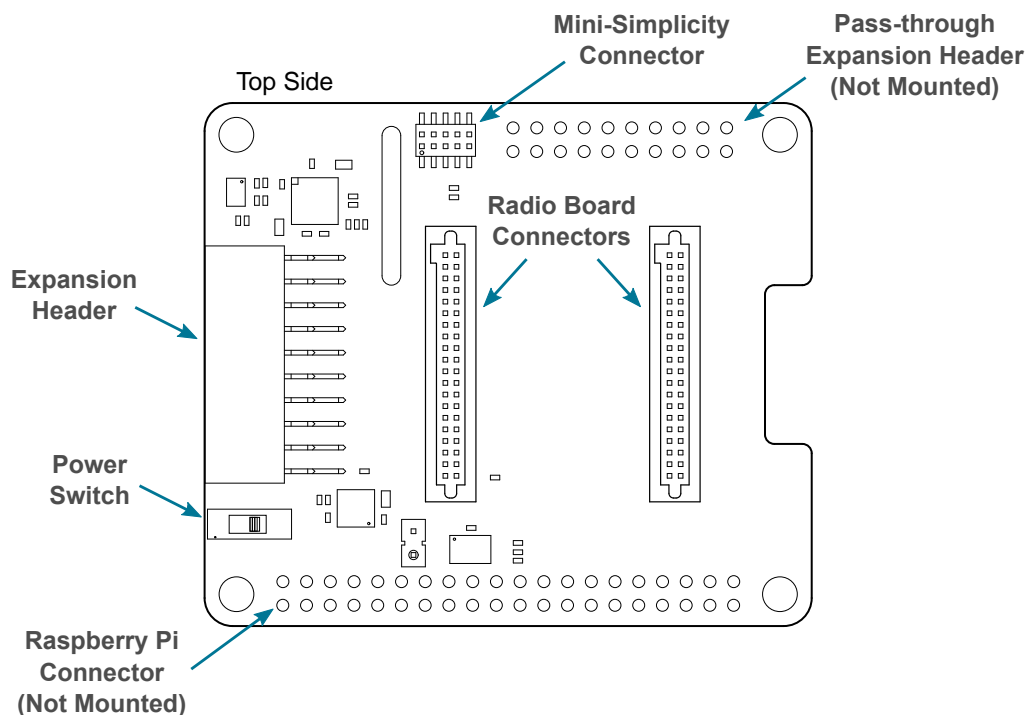


Figure 6.1. Wireless Expansion Board Connector Layout

### 6.1 Wireless Expansion Board Host Interfaces

Two host interfaces are on the Wireless Expansion Board, one of which can be used to connect the BRD4271A to an external host. To use either the UART or the SPI as the connection between the BRD4271A and a host, the EFR32 must be programmed accordingly.

### 6.1.1 UART

The UART peripheral routing is illustrated in the figure below.

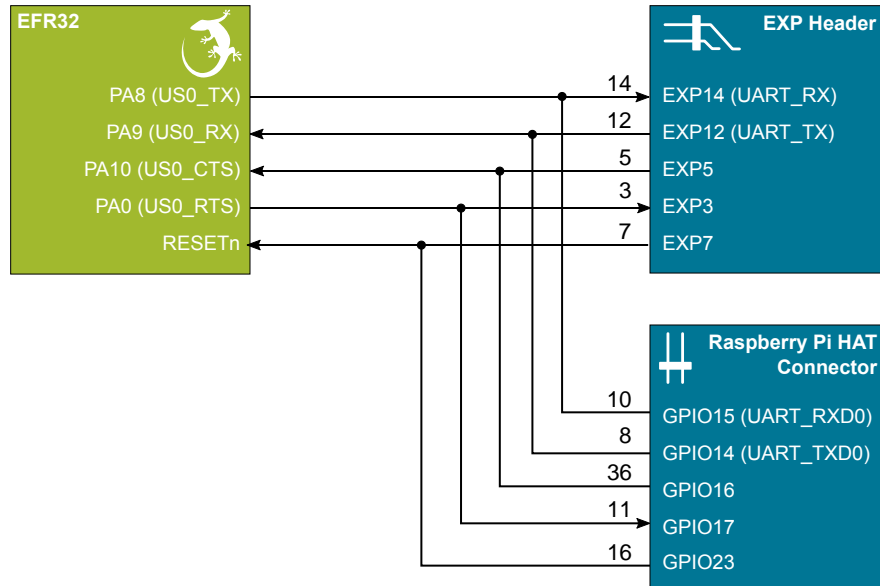


Figure 6.2. UART Peripheral Routing on the Wireless Pro Kit

### 6.1.2 SPI

The SPI peripheral routing is illustrated in the figure below.

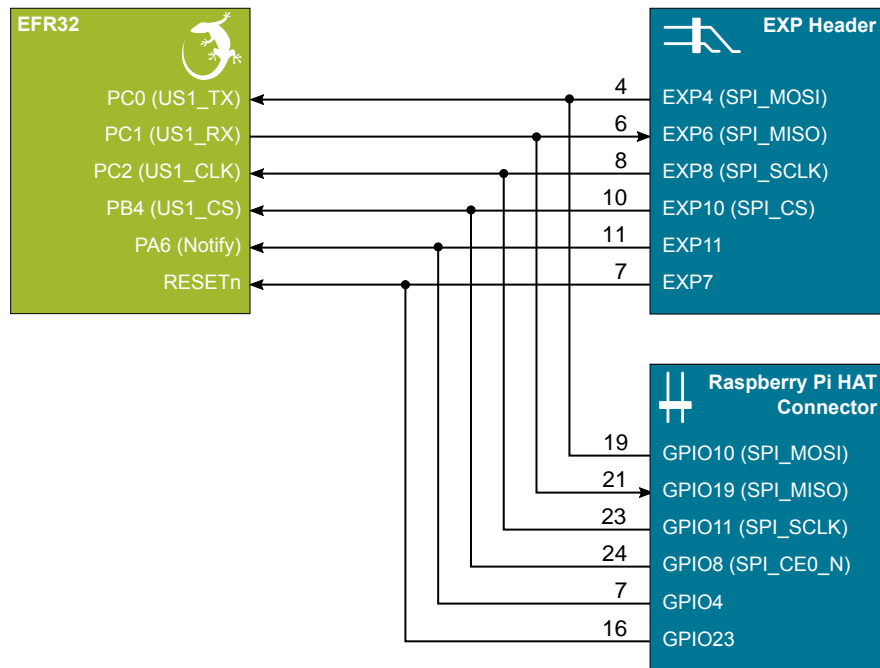


Figure 6.3. SPI Peripheral Routing on the Wireless Pro Kit

## 6.2 Raspberry Pi Connector

On the bottom side of the Wireless Expansion Board, a dual row, female socket, 0.1" pitch connector can be soldered in to allow the Wireless Pro Kit to act as a Raspberry Pi Hardware Attached on Top (HAT) board.

The figure below shows how the EFR32FG25 863-870 MHz 16 dBm is connected to the connector and the peripheral functions that are available.

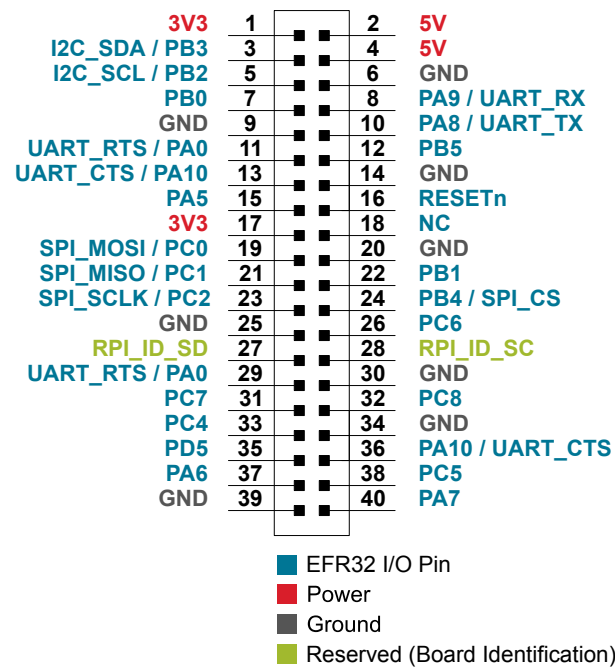


Figure 6.4. Raspberry Pi Connector

### 6.2.1 Wireless Expansion Board Raspberry Pi Connector Pinout

The table below shows the pin assignments of the Raspberry Pi connector, and the port pins and peripheral functions that are available on the BRD4271A Radio Board.

**Table 6.1. Raspberry Pi Connector Pinout**

Raspberry Pi Connector				Expansion Header	Mini Simplicity Con.
Pin(s)	EFR32 Pin	Function	Raspberry Pi Pin	Pin	Pin
1	3V3	Board 3V3 supply	3v3 Power	20	–
2	5V	Board 5V supply	5v Power	18	–
3	PB3	I2C_SDA	BCM 2 (SDA)	16	–
4	5V	Board 5V supply	5v Power	18	–
5	PB2	I2C_SCL	BCM 3 (SCL)	15	–
6	GND	Ground	Ground	1	2
7	PB0	GPIO	BCM 4 (GPCLK0)	11	–
8	PA9	UART_RX	BCM 14 (TXD)	12	4
9	GND	Ground	GND	1	2
10	PA8	UART_TX	BCM 15 (RXD)	14	5
11 (29)	PA0	UART_RTS	BCM 17	3	–
12	PB5	GPIO	BCM 18 (PWM0)	–	–
13 (36)	PA10	GPIO	BCM 27	(5)	–
14	GND	Ground	Ground	1	2
15	PA5	GPIO	BCM 22	9	–
16	RESETn	Reset	BCM 23	7	3
17	3V3	Board 3V3 supply	3v3 Power	20	–
18	–	GPIO	BCM 24	–	–
19	PC0	SPI_MOSI	BCM 10 (MOSI)	4	–
20	GND	Ground	Ground	1	2
21	PC1	SPI_MISO	BCM 9 (MISO)	6	–
22	PB1	GPIO	BCM 25	–	–
23	PC2	SPI_SCLK	BCM 11 (SCLK)	8	–
24	PB4	SPI_CS	BCM 8 (CE0)	10	–
25	GND	Ground	Ground	1	2
26	PC6	GPIO	BCM 7 (CE1)	–	–
27	ID_SD	ID EEPROM	BCM 0 (ID_SD)	–	–
28	ID_SC	ID EEPROM	BCM 1 (ID_SC)	–	–
29 (11)	PA0	GPIO	BCM 5	(3)	–
30	GND	Ground	Ground	1	2
31	PC7	GPIO	BCM 6	–	–



Raspberry Pi Connector				Expansion Header	Mini Simplicity Con.
Pin(s)	EFR32 Pin	Function	Raspberry Pi Pin	Pin	Pin
32	PC8	GPIO	BCM 12 (PWM0)	–	–
33	PC4	GPIO	BCM 13 (PWM1)	–	–
34	GND	Ground	Ground	1	2
35	PD5	GPIO	BCM 19 (MISO)	–	–
36 (13)	PA10	UART_CTS	BCM 16	5	–
37	PA6	GPIO	BCM 26	–	–
38	PC5	GPIO	BCM 20 (MOSI)	–	–
39	GND	Ground	Ground	1	2
40	PA7	GPIO	BCM 21 (SCLK)	–	–

**Note:** Several of the Raspberry Pi GPIO pins (marked by brackets) are connected together when the BRD4271A Radio Board is inserted. This is because of connections on the radio board itself, and not because they are connected together on the Wireless Expansion Board. Care must be taken when driving these pins to avoid creating short circuits.

### 6.3 Wireless Expansion Board EXP Header

On the left-hand side of the Wireless Expansion Board, an angled female 20-pin expansion header is provided to allow connection to one of Silicon Labs' supported Starter Kits.

The figure below shows how the BRD4271A Radio Board is connected to the connector and the peripheral functions that are available.

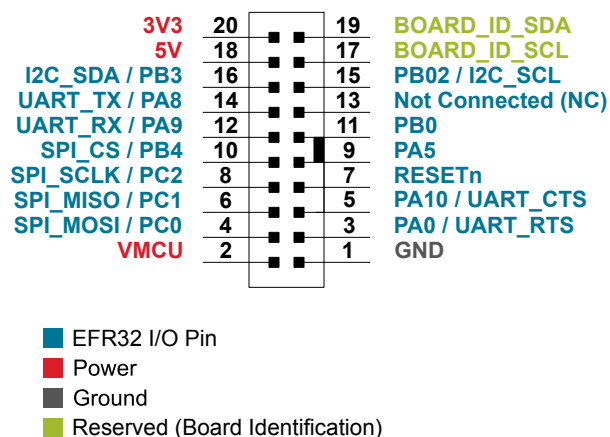


Figure 6.5. Wireless Expansion Board EXP Header

#### 6.3.1 Pass-through Expansion Header

The Wireless Expansion Board features a footprint for a secondary expansion header. The signals from the expansion header are directly tied to the corresponding pins in the footprint, allowing daisy-chaining of additional expansion boards if a connector is soldered in.

### 6.3.2 Wireless Expansion Board EXP Header Pinout

Table 6.2 Wireless Expansion Board EXP Header Pinout on page 31 shows the pin assignments of the EXP Header, and the port pins and peripheral functions that are available on the BRD4271A Radio Board.

**Table 6.2. Wireless Expansion Board EXP Header Pinout**

Expansion Header		EFR32		Raspberry Pi Con.	Mini Simplicity Con.
Pin	Function	Pin	Peripheral	Pin(s)	Pin
2	EFR32FG25 863-870 MHz 16 dBm voltage domain (power switch set to Low Power)	VMCU		–	1
4	SPI_MOSI	PC0	USART1_MOSI	19	–
6	SPI_MISO	PC1	USART1_MISO	21	–
8	SPI_SCLK	PC2	USART1_CLK	23	–
10	SPI_CS	PB4	USART1_CS	24	–
12	UART_TX	PA9	USART0_RX	8	4
14	UART_RX	PA8	USART0_TX	10	5
16	I2C_SDA	PB3	I2C1_SDA	3	–
18	Board 5V supply. Used to supply LDO regulator.	5V		2, 4	–
20	Board 3V3 supply. Only used for board identification.	3V3		1, 17	–
1	Ground	GND		6, 9, 14, 20, 25, 30, 34, 39	2
3	UART_CTS	PA0	USART0_RTS	11 (29)	–
5	UART_RTS	PA10	USART0_CTS	36 (13)	–
7	Reset	RESETn		16	3
9	GPIO	PA5		15	–
11	GPIO	PB0		7	–
13	Not Connected			–	–
15	I2C_SCL	PB2	I2C1_SCL	5	–
17	Identification of expansion boards.	BOARD_ID_SCL		–	–
19	Identification of expansion boards.	BOARD_ID_SDA		–	–

**Note:** Several of the Raspberry Pi GPIO pins (marked by brackets) are connected together when the BRD4271A Radio Board is inserted. This is because of connections on the radio board itself, and not because they are connected together on the Wireless Expansion Board. Care must be taken when driving these pins to avoid creating short circuits.

## 6.4 Wireless Expansion Board Mini Simplicity Connector

The Mini Simplicity connector, available on the Wireless Expansion Board, offers debugging features to be used towards the EFR32 presented on the radio board plugged into the Wireless Expansion Board. For the detailed description of debugging the EFR32 through the Mini Simplicity connector, see the **Debug MINI** option in Section [9.2 Debug Modes](#), where the radio board plugged into the Wireless Expansion Board should be considered as the "External Hardware". For the detailed description of the functionalities of the Mini Simplicity connector, see Section [3.8 Mini Simplicity Connector](#). For the valid power options, refer to [Table 6.3 Wireless Expansion Board Power Options on page 33](#). For more information see [AN958: Debugging and Programming Interfaces for Custom Designs](#).

## 6.5 Wireless Expansion Board Power Supply

There are two ways to provide power to the Wireless Expansion Board:

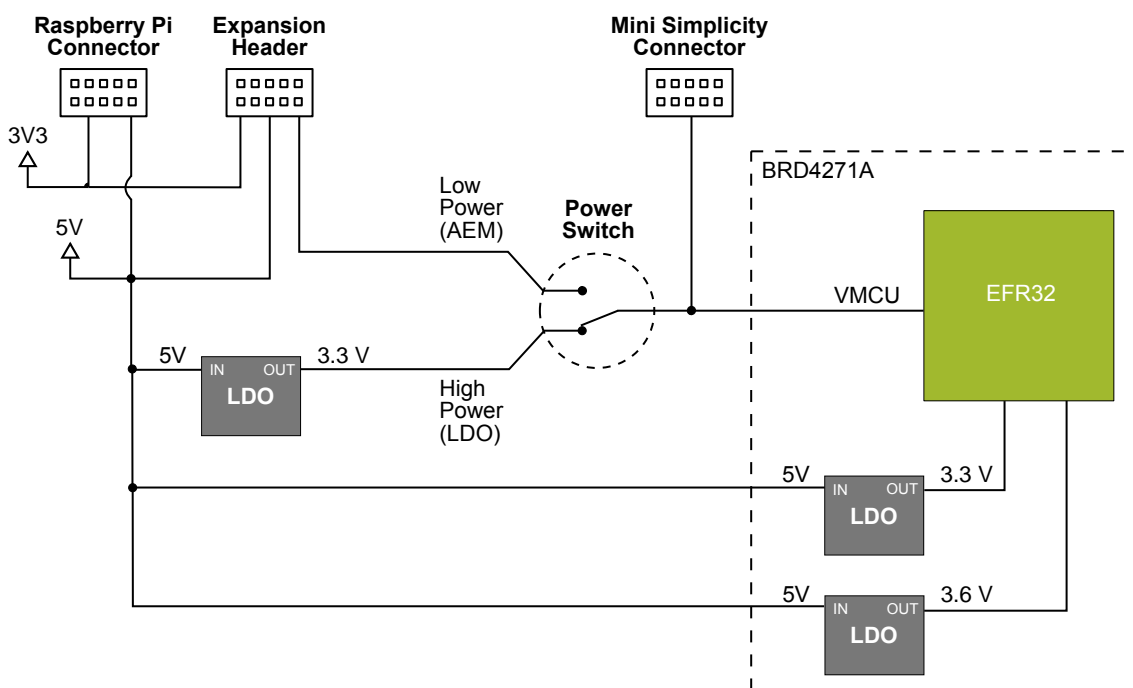
- The board can be connected to, and powered by, a Raspberry Pi
- The board can be connected to, and powered by, a Wireless Pro Kit (or to other MCU STKs)

**Note:** Connecting the Wireless Expansion Board to both a Wireless Pro Kit (or an MCU STK) and a Raspberry Pi at the same time is not a valid option.

A mechanical power switch on the Wireless Expansion Board is used to select between Low Power (AEM) position and High Power (LDO) position. When connected to a Raspberry Pi, the power switch must be set to High Power (LDO) position. When connected to the Wireless Pro Kit, it must be set to Low Power (AEM) position to avoid conflict between the GPIO voltage level of the host and the radio board on the Wireless Expansion Board.

When connected to a Wireless Pro Kit, with the switch set to Low Power (AEM) position, the VMCU rail of the BRD4271A Radio Board (that supplies only IOVDD0 and IOVDD1 pins of the EFR32) is powered by the VMCU rail on the Expansion Header. Therefore, the current measured by the AEM will only include the IOVDD0 and IOVDD1 current consumption. Since the rest of the supply pins of the EFR32 are supplied by the 5V net (through the LDOs on the radio board), their current consumption is not measured by the AEM, regardless of the position of the switch.

The power topology is illustrated in the figure below.



**Figure 6.6. Wireless Expansion Board Power Topology**

The power supply options are summarized in the following table. Information on placement of the power switch and the connectors can be found in Section 6. [Wireless Expansion Board](#).

**Table 6.3. Wireless Expansion Board Power Options**

Host	Host Power Switch	Debugger (WPK Main-board) Power Switch	Wireless Expansion Board Power Switch	Power Source
Raspberry Pi	–	BAT	High power (LDO)	Host provides power to the 5V rail of the target radio board, VMCU of the target is powered by LDO on the Wireless Expansion Board

Host	Host Power Switch	Debugger (WPK Mainboard) Power Switch	Wireless Expansion Board Power Switch	Power Source
Wireless Pro Kit (BRD4001A or BRD4002A with BRD4271A)	AEM	BAT	Low power (AEM)	Host WPK Mainboard provides power to the 5V and VMCU rails of both the host radio board and the target radio board plugged into the Wireless Expansion Board.

**Note:** It is important to only use the configurations provided in the table above in order to avoid any power conflicts. Furthermore, it is important to make sure that the coin cell battery holder is empty whenever the power switch should be set to BAT.

**Note:** Based on the table above, either on the host or on the debugger side, other MCU STKs can be used as well.

## 7. Board Controller

### 7.1 Introduction

The Wireless STK Mainboard and the Wireless Pro Kit Mainboard contain a dedicated microcontroller for some of the advanced kit features provided. This microcontroller is referred to as the board controller and is not programmable by the user. The board controller acts as an interface between the host PC and the target device on the radio board, as well as handling some housekeeping functions on the board.

**Note:** This chapter describes the board controller on both the Wireless Starter Kit Mainboard and the Wireless Pro Kit Mainboard. There might be slight differences between these two boards, such as the exact menu and format on the admin console, not highlighted in this chapter. The logic analyzer is furthermore only available on BRD4002A.

Some of the kit features actively managed by the board controller are:

- The [on-board debugger](#), which can flash and debug both on-board and external targets.
- The [Advanced Energy Monitor](#), which provides real-time energy profiling of the user application.
- The Packet Trace Interface, which is used in conjunction with PC software to provide detailed insight into an active radio network.
- The [logic analyzer](#), which can capture digital signals time-synchronized to the energy profiling and packet trace data.
- The [Virtual COM Port](#) and [Virtual UART](#) interfaces, which provide ways to transfer application data between the host PC and the target processor.
- The [admin console](#), which provides configuration of the various board features.

Silicon Labs publishes updates to the board controller firmware in the form of firmware upgrade packages. These updates may enable new features or fix issues. See [Section 10.1 Firmware Upgrades](#) for details on firmware upgrade.

### 7.2 Admin Console

The admin console is a command line interface to the board controller on the kit. It provides functionality for configuring the kit behavior and retrieving configuration and operational parameters.

#### 7.2.1 Connecting

The admin console is available when the Wireless Pro Kit is connected to Ethernet using the Ethernet connector in the top left corner of the mainboard. See [Section 9.1.2 Ethernet Interface](#) for details on the Ethernet connectivity.

Connect to the admin console by opening a telnet connection to the kit's IP address, port number 4902.

When successfully connected, a `WPK>` prompt is displayed.

## 7.2.2 Built-in Help

The admin console has a built-in help system which is accessed by the `help` command. The `help` command will print a list of all top level commands:

```
WPK> help
***** Root commands *****
aem          AEM Configuration and Information Commands [ avg, calibrate, calinfo ]
boardid     Commands for board ID probe. [ list, probe ]
dbg         Debug interface status and control [ info, mode ]
dch         Datachannel control and info commands [ info, message ]
discovery   Discovery service commands. [ key ]
net         Network commands. [ dnslookup, ip, mac ]
pti         Packet trace interface status and control [ config, disable, dump, ... ]
quit        Exit from shell
serial      Serial channel commands [ vcom ]
sys         System commands [ crashlog, nickname, reset, ... ]
target      Target commands. [ button, go, halt, ... ]
time        Time Sync Service commands [ client, disable, info, ... ]
user        User management functions [ login, ]
```

The `help` command can be used in conjunction with any top level command to get a list of sub-commands with descriptions. For example, `pti help` will print a list of all available sub-commands of `pti`:

```
WPK> pti help
***** pti commands *****
config      Configure packet trace
disable     Disable packet trace
dump        Dump PTI packets to the console as they come
enable      Enable packet trace
info        Packet trace state information
```

This means that running `pti enable` will enable packet trace.

## 7.2.3 Command Examples

### PTI Configuration

```
pti config 0 efruart 1600000
```

Configures PTI to use the "EFRUART" mode at 1.6 Mb/s.

### Serial Port Configuration

```
serial config vcom handshake enable
```

Enables hardware handshake on the VCOM UART connection.

## 7.3 Virtual UART

The Virtual UART (VUART) interface provides a high-performance application data interface that does not require additional I/O pins apart from the debug interface.

The Wireless STK makes the VUART interface available on TCP/IP port 4900.

### 7.3.1 Target-to-Host

Target-to-host communication utilizes the SWO-pin of the debug interface through the ITM debug peripheral. This approach allows a sleepy target device to enter all energy modes and still wake up intermittently to send debug information. The baud rate of the SWO data is locked to 875 kHz.

VUART utilizes ITM stimulus port 0 for general purpose printing. Silicon Labs' networking stacks utilize ITM stimulus port 8 for debug printing. The data on port 8 is encapsulated in additional framing and will also appear in the Simplicity Studio Network Analyzer.



### 7.3.2 Host-to-Target

Host-to-target communication utilizes SEGGER's Real Time Transfer (RTT) technology. A full explanation of how this works can be found in *J-Link/J-Trace User Guide (UM08001)*. Briefly summarized, RTT consists of a structure called the RTT Control Block, which is located in RAM. This control block points to circular buffers that the debugger can write data into. The target application can then read data out of this circular buffer.

The board controller will start searching for the RTT Control Block upon receiving data on TCP/IP port 4900. If the board controller is unable to locate the RTT Control Block, it will return an error message on the same connection. For the board controller to be able to locate the RTT Control Block, it has to be aligned on a 1024-byte boundary in RAM.

After initializing the RTT connection, the target will only enter emulated EM2 and EM3 where the power consumption remains similar to EM1. This is because RTT utilizes the debug interface, which requires use of high-frequency oscillators. Energy modes EM4S and EM4H will work as normal. When debugging energy consumption, it is therefore important to not send data on TCP/IP port 4900 as not to instantiate the RTT connection.

### 7.3.3 Limitations

- Because the SWO-connection can be disabled by the debugger at will, it is important for the target application to verify that SWO is enabled and configured before each transmission on the interface.
- After initializing host-to-target communication over RTT by sending data on TCP/IP port 4900, the target application will be unable to enter EM2 and EM3. This is because RTT utilizes the debug connection of the target.
- VUART might not work reliably during an active debugging session. This is because there is contention over the target's debug interface. The board controller will defer accessing the target until it is made available by the host debugger.
- VUART is designed with the assumption that only the board controller will access the RTT control block. If the target application uses RTT for other purposes, such as Segger SystemView, refrain from using VUART.

### 7.3.4 Troubleshooting

Problem	Solution
No data received after ending a debug session.	After certain debugger operations, the host computer manually disables SWO on the target to conserve power. This might cause SWO data to not appear if the target application initialized SWO before the debugger has disconnected. Either press the RESET button on the Wireless Starter Kit to reset the target application or make sure that the target application verifies that SWO is enabled and configured before sending any data.
No data received after flashing a new application.	
Other issues	Disconnect from TCP port 4900, press the RESET button on the kit, then reconnect to 4900. If this does not fix the issue, try to restart the kit by unplugging and replugging the USB cable.

## 8. Advanced Energy Monitor

The AEM cannot measure the total current consumption of the BRD4271A Radio Board due to its specific power supply structure (EFR32 is supplied by VMCU and on-board LDOs). For other radio boards with regular power supply structure (EFR32 supplied only by VMCU), AEM can measure the total current consumption of the board.

### 8.1 Introduction

Any embedded developer seeking to make their embedded code spend as little energy as the underlying architecture supports needs tools to easily and quickly discover inefficiencies in the running application. This is what the Simplicity Energy Profiler is designed to do. In real-time, the Energy Profiler will graph and log current as a function of time while correlating this to the actual target application code running on the EFR32. There are multiple features in the profiler software that allow for easy analysis, such as markers and statistics on selected regions of the current graph or aggregate energy usage by different parts of the application. The Energy Profiler is available through Simplicity Studio.

### 8.2 Code Correlation

By using the Energy Profiler, current consumption and voltage can be measured and linked to the actual code running on the EFR32 in realtime. The Energy Profiler gets its data from the board controller on the mainboard through the Advanced Energy Monitor (AEM). The current signal is combined with the target processor's Program Counter (PC) sampling by utilizing a feature of the ARM CoreSight debug architecture. The Instrumentation Trace Macrocell (ITM) block can be programmed to sample the MCU's PC at periodic intervals and output these over SWO pin ARM devices. When these two data streams are fused and correlated with the running application's memory map, an accurate statistical profile can be built that shows the energy profile of the running application in real-time.

### 8.3 AEM Circuit

The AEM circuit on the Wireless Pro Kit Mainboard (BRD4002A) and the Wireless STK Mainboard (BRD4001A) measures the current through a sense resistor inside the feedback loop of a low-dropout regulator (LDO). The output voltage of this LDO powers the EFR32 when the power slide switch is in the AEM position. AEM usage on both mainboards is similar, but the implementation and performance on the Wireless Pro Kit Mainboard (BRD4002A) has some key differences, including the utilization of two sense resistors instead of one, and a different LDO, which is explained in Section 8.3.1 AEM Details. The AEM implementation on the Wireless Pro Kit Mainboard (BRD4002A) is shown in the figure below.

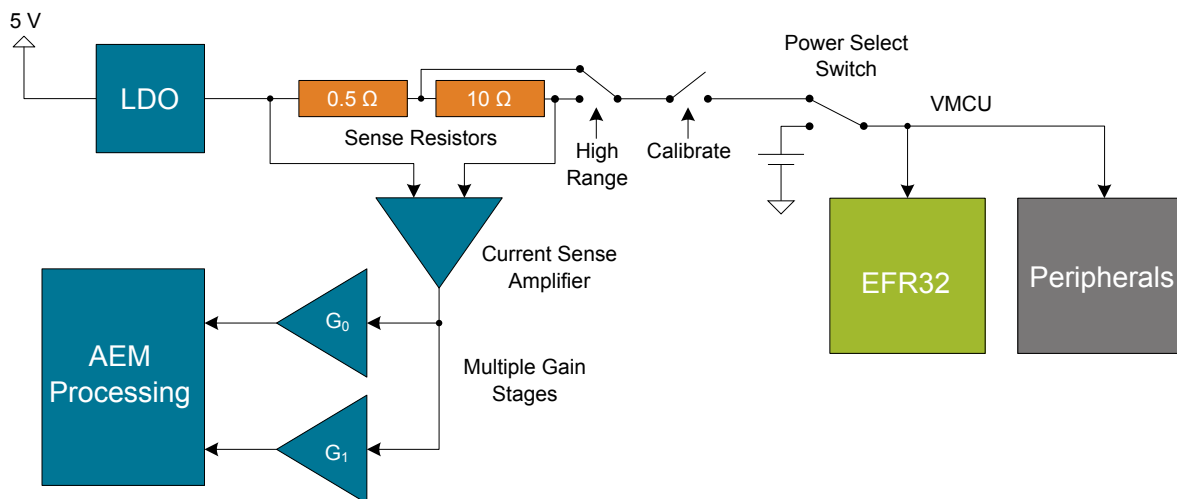


Figure 8.1. Advanced Energy Monitor On The Wireless Pro Kit Mainboard (BRD4002A)

**Note:** The VMCU regulator feedback point is after the sense resistor to ensure that the VMCU voltage is kept constant when the output current changes. Series resistances in the current path will, however, cause some IR drop on VMCU.

**Note:** The AEM circuit only works when the kit is powered and the power switch is in the AEM position.

### 8.3.1 AEM Details

The main differences between the AEM on the Wireless Pro Kit Mainboard (BRD4002A) and the Wireless STK Mainboard (BRD4001A) is summarized in the table below with more in-depth information given in the text to follow.

**Table 8.1. Advanced Energy Monitor Parameters**

Parameter	BRD4002A	BRD4001A
Voltage	1.8 - 3.6 V	3.3 V
Sample Rate	100 kHz	10 kHz
Sense Resistor	10.5 $\Omega$ / 0.5 $\Omega$	2.35 $\Omega$
Measurement Range <sup>1</sup>	0 - 495 mA	0 - 95 mA
<b>Note:</b>		
1. The current sourcing capabilities of the LDO may be different than the measurement range.		

#### Wireless Pro Kit Mainboard (BRD4002A) AEM Design Details

The AEM circuitry on the Wireless Pro Kit Mainboard is capable of measuring current signals in the range of approximately 0.1  $\mu$ A to 495 mA. This is accomplished through a combination of a highly capable current sense amplifier, multiple sense resistors and gain stages, and signal processing within the kit's board controller before the current sense signal is read by a host computer with 100 kHz sample rate for display and/or storage. Averaging on the output data may be required to achieve sufficient accuracy in some situations, such as low currents, which can be traded for lower bandwidth. High current applications require that the regulator is able to supply enough current as described in Section 4.2 Kit Power.

At low currents the current sense amplifier measures the voltage drop over a 10.5  $\Omega$  resistive path. The gain stage further amplifies this voltage with two different parallel gain settings to obtain two current ranges. The transition between these two ranges occurs around 150  $\mu$ A. When the current exceeds a threshold, which is typically between 10 and 30 mA, the AEM circuitry switches from the 10.5  $\Omega$  resistive path to a 0.5  $\Omega$  sense resistor and is now capable of measuring currents up to approximately 495 mA. Should the current drop below the threshold again, the sense resistor is changed back to the 10.5  $\Omega$  resistive path and the AEM is back to using two different gain stages depending on whether the current is above or below 150  $\mu$ A.

The expected typical accuracy of the AEM on the Wireless Pro Kit Mainboard is within 1 %, except for currents in the low tens of microamps where offset errors start to dominate. In this low current region, the expected typical accuracy is some hundred nanoamps. At kit power-up or on a power-cycle, an automatic AEM calibration is performed which compensates for offset errors in the current sense amplifiers. To achieve the stated accuracy, averaging of the AEM output data is required in certain situations (typically at low currents and close to the bottom of the measurement ranges) to reduce noise. Averaging can be applied in Energy Profiler to suit different requirements during or after the acquisition. The analog bandwidth of the measurement circuit depends on multiple factors, such as output current and capacitance on the VMCU net, and may be lower than the output data rate. Generally, higher output current and lower capacitance on VMCU gives a higher analog bandwidth.

#### Wireless STK Mainboard (BRD4001A) AEM Design Details

The AEM circuitry on the Wireless STK Mainboard works conceptually in a similar way to the implementation on the Wireless Pro Kit Mainboard except for two key differences: it uses only one 2.35  $\Omega$  sense resistor and the low-dropout regulator (LDO) is different. For details about the two implementations, the reader is encouraged to see the schematics.

The AEM on the Wireless STK Mainboard is capable of measuring currents in the range of 0.1  $\mu$ A to 95 mA. The second stage amplifier amplifies the signal with two different gain settings with the transition occurring around 250  $\mu$ A. For currents above 250  $\mu$ A, the AEM is accurate within 0.1 mA. When measuring currents below 250  $\mu$ A, the accuracy increases to 1  $\mu$ A. Even though the absolute accuracy is 1  $\mu$ A in the sub 250  $\mu$ A range, the AEM can detect changes in the current consumption as small as 0.1  $\mu$ A. It is possible to source currents above the measurement range as described in Section 4.2 Kit Power. The board controller outputs the AEM data with 10 kHz sample rate.

## 9. On-Board Debugger

The Wireless Pro Kit Mainboard and the Wireless STK Mainboard contain an integrated debugger, which can be used to download code and debug the EFR32. In addition to programming a target on a plug-in radio board, the debugger can also be used to program and debug external Silicon Labs EFM32, EFM8, EZR32, and EFR32 devices connected through the debug connector.

The debugger supports three different debug interfaces for Silicon Labs devices:

- Serial Wire Debug is supported by all EFM32, EFR32, and EZR32 devices
- JTAG is supported by EFR32 and some EFM32 devices
- C2 Debug is supported by EFM8 devices

For debugging to work properly, make sure the selected debug interface is supported by the target device. The debug connector on the board supports all three of these modes.

### 9.1 Host Interfaces

The Wireless Pro Kit supports connecting to the on-board debugger using either Ethernet or USB.

Many tools support connecting to a debugger using either USB or Ethernet. When connected over USB, the kit is identified by its J-Link serial number. When connected over Ethernet, the kit is normally identified by its IP address. Some tools also support using the serial number when connecting over Ethernet; however, this typically requires the computer and the kit to be on the same subnet for the discovery protocol (using UDP broadcast packets) to work.

#### 9.1.1 USB Interface

The USB interface is available whenever the USB connector on the left-hand side of the mainboard is connected to a computer.

#### 9.1.2 Ethernet Interface

The Ethernet interface is available when the mainboard Ethernet connector in the top left corner is connected to a network. Normally, the kit will receive an IP address from a local DHCP server, and the IP address is printed on the LCD display. If your network does not have a DHCP server, you need to connect to the kit via USB and set the IP address manually using Simplicity Studio, Simplicity Commander, or J-Link Configurator.

For the Ethernet connectivity to work, the kit must still be powered through the mainboard USB connector.

#### 9.1.3 Serial Number Identification

All Silicon Labs kits have a unique J-Link serial number which identifies the kit to PC applications. This number is 9 digits and is normally on the form 44xxxxxxxx.

The J-Link serial number is normally printed at the bottom of the kit LCD display.

## 9.2 Debug Modes

The kit can be used in various debug modes as explained in this chapter. The on-board debugger can be used to debug the EFR32 on the radio board, or it can be used to debug a supported external target board using either the debug connector or the Mini Simplicity Connector. An external debugger can furthermore be used to debug the EFR32 on the radio board using the debug connector. Selecting the active debug mode is done in Simplicity Studio.

**Note:** The Wireless Starter Kit Mainboard (BRD4001A) does not feature a Mini Simplicity Connector; therefore, debugging an external target board directly over the Mini Simplicity Connector is not supported on this mainboard. However, it is possible to debug an external target that uses a Mini Simplicity Connector from the Wireless Starter Kit Mainboard by using a BRD8010A STK/WSTK Debug Adapter.

**Debug MCU:** In this mode, the on-board debugger is connected to the EFR32 on the kit. To use this mode, set the debug mode to [MCU].

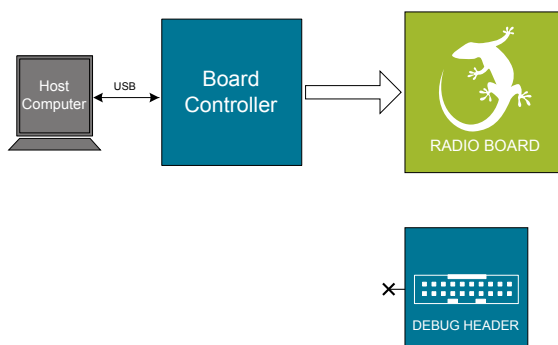


Figure 9.1. Debug MCU

**Debug OUT:** In this mode, the on-board debugger can be used to debug a supported Silicon Labs device mounted on a custom board using the debug connector. To use this mode, set the debug mode to [Out].

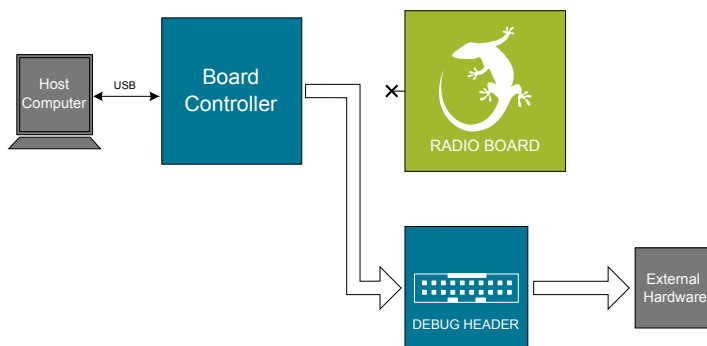
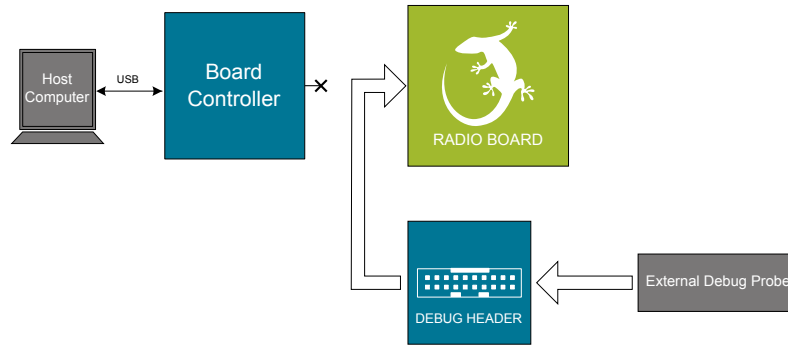


Figure 9.2. Debug OUT

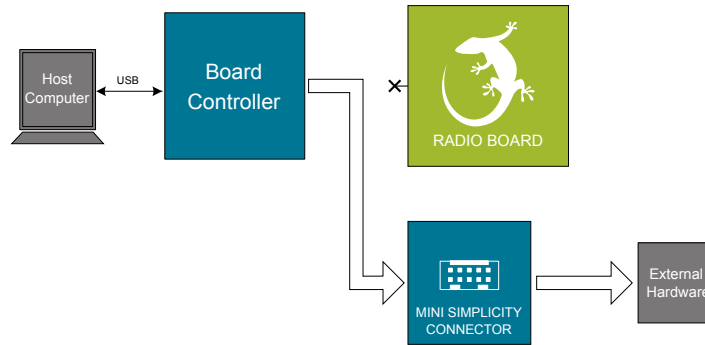
**Debug IN:** In this mode, the on-board debugger is disconnected and an external debugger can be used to debug the EFR32 on the kit over the debug connector. To use this mode, set the debug mode to [In].



**Figure 9.3. Debug IN**

**Note:** For "Debug IN" to work, the kit board controller must be powered through the Debug USB connector.

**Debug MINI:** The Wireless Pro Kit mainboard features a dedicated Mini Simplicity Connector on the board. In this mode, the on-board debugger can be used to debug a supported Silicon Labs device mounted on a custom board over Serial Wire Debug. Virtual COM port and Packet Trace Interface is also available in this mode. To use this mode, set the debug mode to **[Mini]**.



**Figure 9.4. Mini Out**

Depending on the position of the mainboard power switch and the presence of a coin battery (or external power source on the battery connector of BRD4002A), the Wireless Pro Kit can supply voltage on the VMCU rail available on the Simplicity Connector and the Mini Simplicity Connector. Careful consideration must be taken to avoid any power conflicts with the external hardware. For more information regarding debugging external hardware see [AN958: Debugging and Programming Interfaces for Custom Designs](#).

### 9.3 Debugging During Battery Operation

When the EFR32 is battery-powered and the J-Link USB is still connected, the on-board debug functionality is available. If the USB power is disconnected, the Debug IN mode will stop working.

If debug access is required when the target is running off another energy source, such as a battery, and the board controller is powered down, make direct connections to the GPIOs used for debugging, which are exposed on the breakout pads.

## 10. Kit Configuration and Upgrades

The kit configuration dialog in Simplicity Studio allows you to change the J-Link adapter debug mode, upgrade its firmware, and change other configuration settings. To download Simplicity Studio, go to [silabs.com/simplicity](http://silabs.com/simplicity).

In the main window of the Simplicity Studio's Launcher perspective, the debug mode and firmware version of the selected J-Link adapter are shown. Click the **[Change]** link next to any of these settings to open the kit configuration dialog.

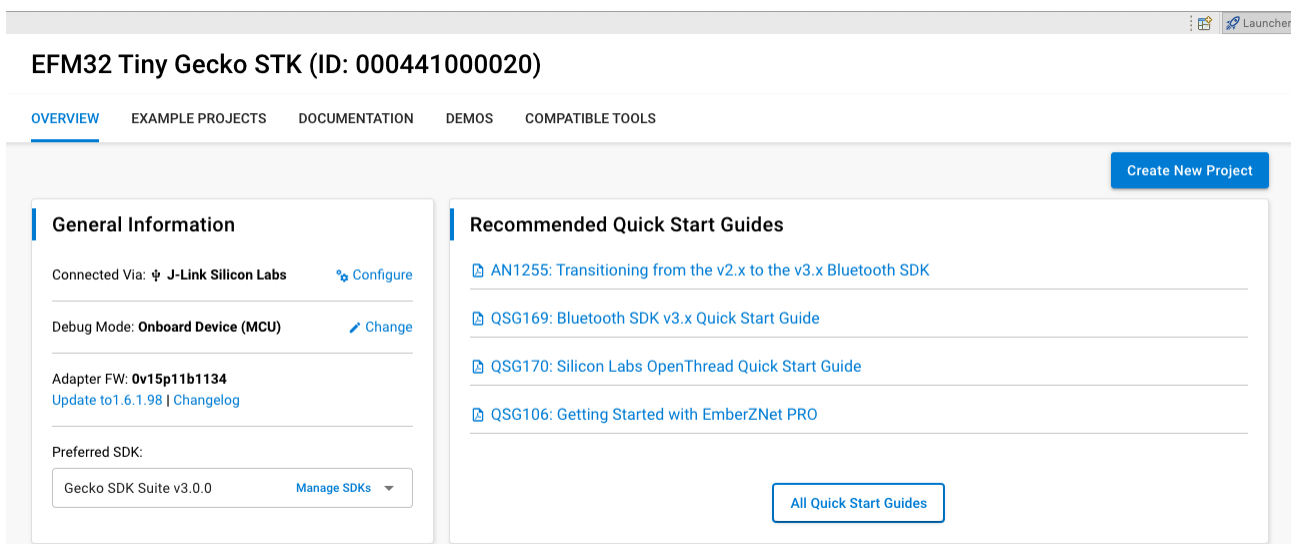


Figure 10.1. Simplicity Studio Kit Information

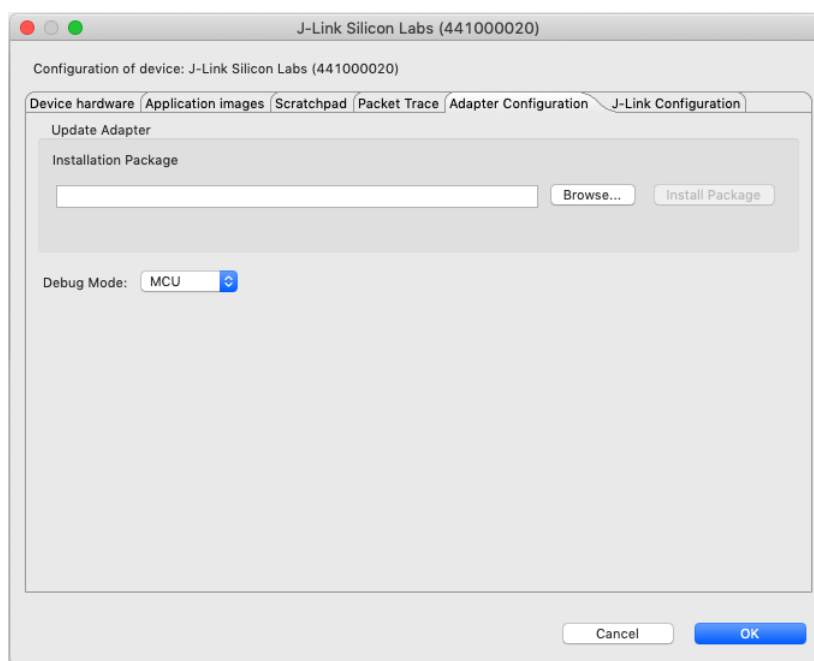


Figure 10.2. Kit Configuration Dialog

### 10.1 Firmware Upgrades

You can upgrade the kit firmware through Simplicity Studio. Simplicity Studio will automatically check for new updates on startup.

You can also use the kit configuration dialog for manual upgrades. Click the **[Browse]** button in the **[Update Adapter]** section to select the correct file ending in `.emz`. Then, click the **[Install Package]** button.

## 11. Schematics, Assembly Drawings, and BOM

Schematics, assembly drawings, and bill of materials (BOM) are available through Simplicity Studio when the kit documentation package has been installed. They are also available from the kit page on the Silicon Labs website: [silabs.com](https://silabs.com).



## 12. Kit Revision History

The kit revision can be found printed on the kit packaging label, as outlined in the figure below. The revision history given in this section may not list every kit revision. Revisions with minor changes may be omitted.

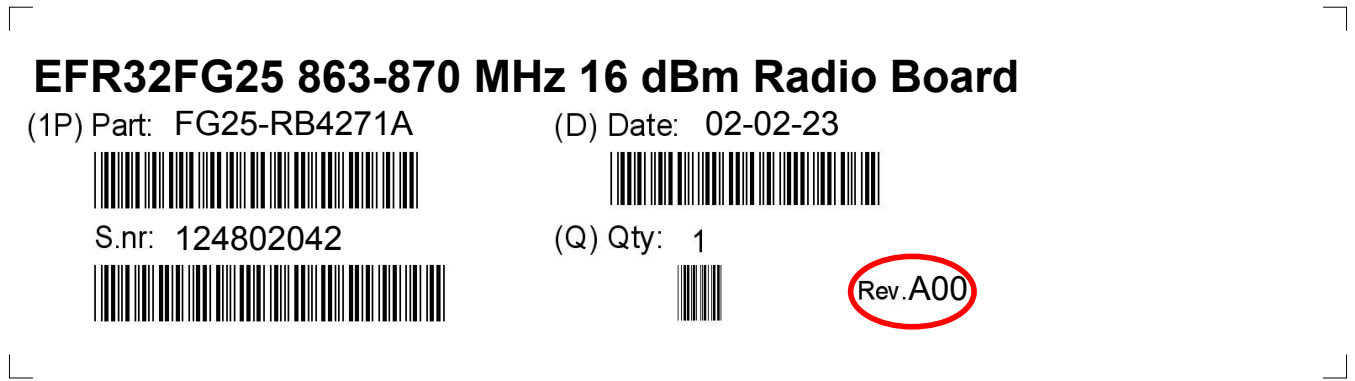


Figure 12.1. Kit Label

### 12.1 FG25-RB4271A Revision history

Kit Revision	Released	Description
A03	14 November 2022	Updated BRD4271A to Rev. A06.
A02	26 October 2022	Updated BRD4271A to Rev. A05.
A01	21 July 2022	Updated BRD4271A to Rev. A04.
A00	7 January 2022	Initial release.

### 12.2 FG25-PK6012A Revision history

Kit Revision	Released	Description
A02	14 November 2022	Updated BRD4271A to Rev. A06.
A01	21 June 2022	Updated BRD4271A to Rev. A04.
A00	28 April 2022	Initial release.

### 12.3 Wi-SUN-PK6015A Revision history

Kit Revision	Released	Description
A01	15 November 2022	Updated BRD4271A to Rev. A06.
A00	21 June 2022	Initial release.

## 13. Document Revision History

### Revision 1.0

Feb 2023

- Initial document release.

# Simplicity Studio

One-click access to MCU and wireless tools, documentation, software, source code libraries & more. Available for Windows, Mac and Linux!



**IoT Portfolio**  
[www.silabs.com/IoT](http://www.silabs.com/IoT)



**SW/HW**  
[www.silabs.com/simplicity](http://www.silabs.com/simplicity)



**Quality**  
[www.silabs.com/quality](http://www.silabs.com/quality)



**Support & Community**  
[www.silabs.com/community](http://www.silabs.com/community)

## Disclaimer

Silicon Labs intends to provide customers with the latest, accurate, and in-depth documentation of all peripherals and modules available for system and software implementers using or intending to use the Silicon Labs products. Characterization data, available modules and peripherals, memory sizes and memory addresses refer to each specific device, and "Typical" parameters provided can and do vary in different applications. Application examples described herein are for illustrative purposes only. Silicon Labs reserves the right to make changes without further notice to the product information, specifications, and descriptions herein, and does not give warranties as to the accuracy or completeness of the included information. Without prior notification, Silicon Labs may update product firmware during the manufacturing process for security or reliability reasons. Such changes will not alter the specifications or the performance of the product. Silicon Labs shall have no liability for the consequences of use of the information supplied in this document. This document does not imply or expressly grant any license to design or fabricate any integrated circuits. The products are not designed or authorized to be used within any FDA Class III devices, applications for which FDA premarket approval is required or Life Support Systems without the specific written consent of Silicon Labs. A "Life Support System" is any product or system intended to support or sustain life and/or health, which, if it fails, can be reasonably expected to result in significant personal injury or death. Silicon Labs products are not designed or authorized for military applications. Silicon Labs products shall under no circumstances be used in weapons of mass destruction including (but not limited to) nuclear, biological or chemical weapons, or missiles capable of delivering such weapons. Silicon Labs disclaims all express and implied warranties and shall not be responsible or liable for any injuries or damages related to use of a Silicon Labs product in such unauthorized applications.

**Note: This content may contain offensive terminology that is now obsolete. Silicon Labs is replacing these terms with inclusive language wherever possible. For more information, visit [www.silabs.com/about-us/inclusive-lexicon-project](http://www.silabs.com/about-us/inclusive-lexicon-project)**

## Trademark Information

Silicon Laboratories Inc.<sup>®</sup>, Silicon Laboratories<sup>®</sup>, Silicon Labs<sup>®</sup>, SiLabs<sup>®</sup> and the Silicon Labs logo<sup>®</sup>, Bluegiga<sup>®</sup>, Bluegiga Logo<sup>®</sup>, EFM<sup>®</sup>, EFM32<sup>®</sup>, EFR, Ember<sup>®</sup>, Energy Micro, Energy Micro logo and combinations thereof, "the world's most energy friendly microcontrollers", Redpine Signals<sup>®</sup>, WiSeConnect, n-Link, ThreadArch<sup>®</sup>, EZLink<sup>®</sup>, EZRadio<sup>®</sup>, EZRadioPRO<sup>®</sup>, Gecko<sup>®</sup>, Gecko OS, Gecko OS Studio, Precision32<sup>®</sup>, Simplicity Studio<sup>®</sup>, Telegesis, the Telegesis Logo<sup>®</sup>, USBXpress<sup>®</sup>, Zentri, the Zentri logo and Zentri DMS, Z-Wave<sup>®</sup>, and others are trademarks or registered trademarks of Silicon Labs. ARM, CORTEX, Cortex-M3 and THUMB are trademarks or registered trademarks of ARM Holdings. Keil is a registered trademark of ARM Limited. Wi-Fi is a registered trademark of the Wi-Fi Alliance. All other products or brand names mentioned herein are trademarks of their respective holders.



Silicon Laboratories Inc.  
400 West Cesar Chavez  
Austin, TX 78701  
USA

[www.silabs.com](http://www.silabs.com)